

## Product information sheet SUBLINE 500-U for Coloured Components

Item no. 527794

### Benefits

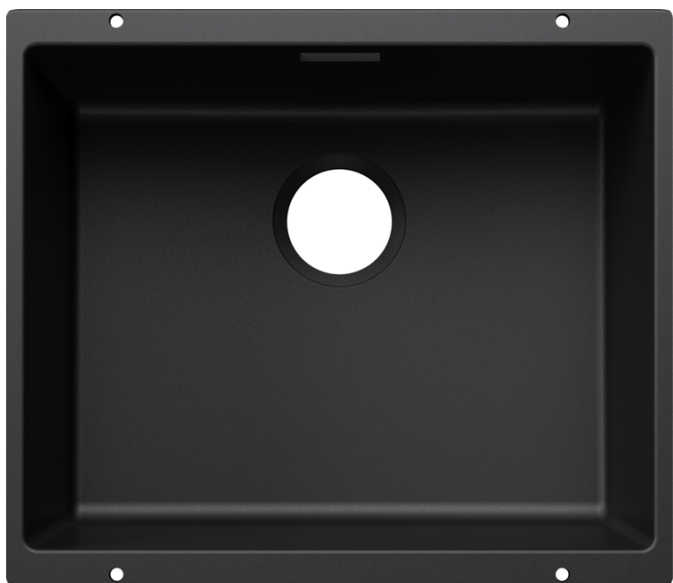
---



- Create perfect colour harmony by choosing a Coloured Components InFino set (ordered separately) to match the tap finish
- Our versatile SUBLINE kitchen sink range fits harmoniously into the worktop: great for minimalist kitchens
- Straight-lined design: timelessly elegant
- Generous bowl for soaking and cleaning baking trays, pots and pans

## Colours

---



Available colours:

black  
anthracite  
rock grey  
volcano grey  
white  
soft white  
tartufo  
coffee

SILGRANIT black

## Planning information

---

- InFino basket strainer and waste components must be ordered separately

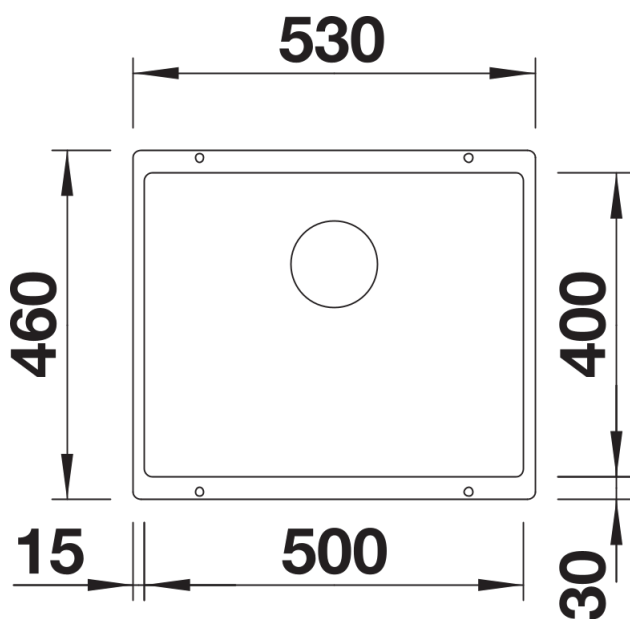
## Scope of supply

---

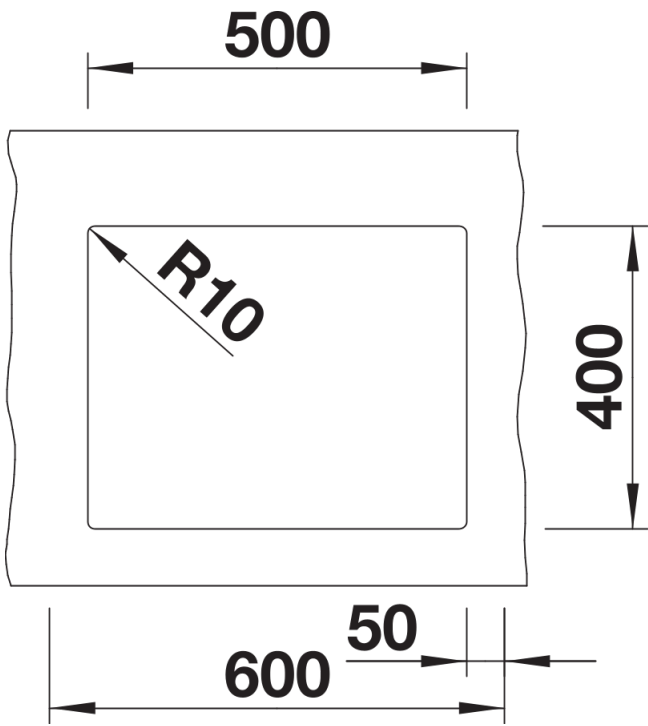
- Fixing kit

## Details

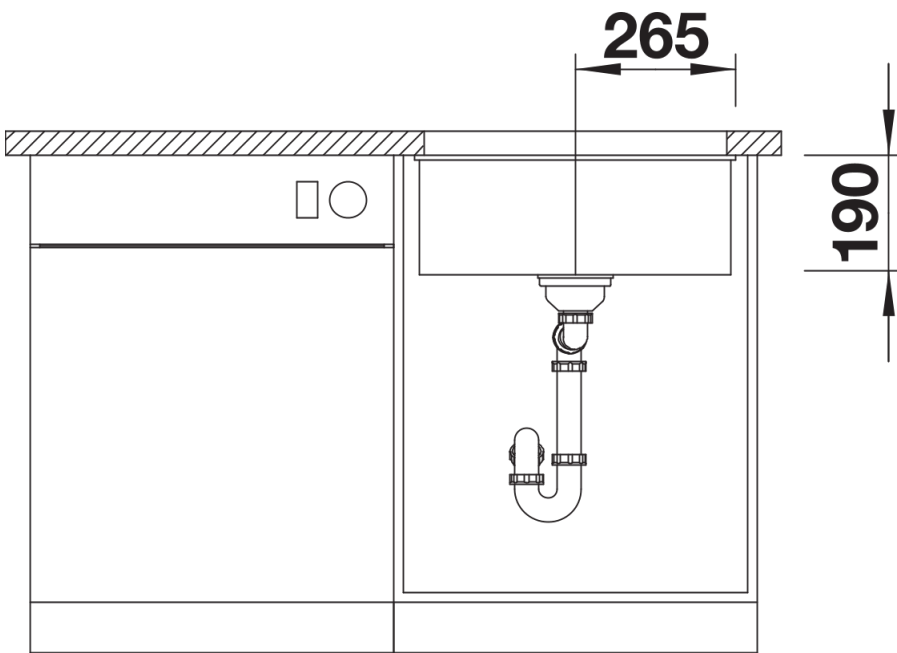
---



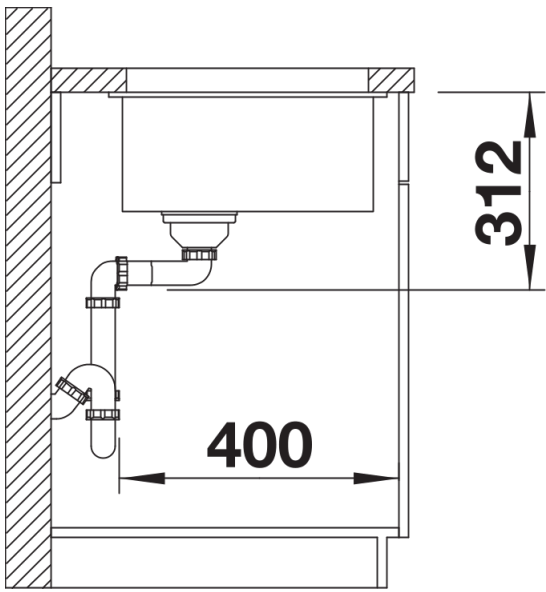
Top view



Cut-out



Front view



Side view