

Product information sheet SUBLINE 340/160-U for Coloured Components

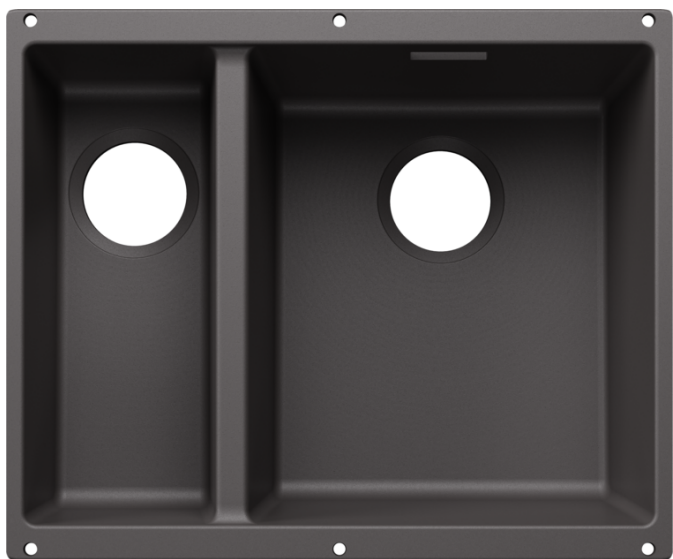
Item no. 527814

Benefits



- Create perfect colour harmony by choosing a Coloured Components InFino set (ordered separately) to match the tap finish
- Our versatile SUBLINE kitchen sink range fits harmoniously into the worktop: great for minimalist kitchens
- Straight-lined design: timelessly elegant
- Spacious main bowl and additional smaller bowl for easy food prep

Colours



Available colours:

- black
- anthracite
- rock grey
- volcano grey
- white
- soft white
- tartufo
- coffee

SILGRANIT rock grey

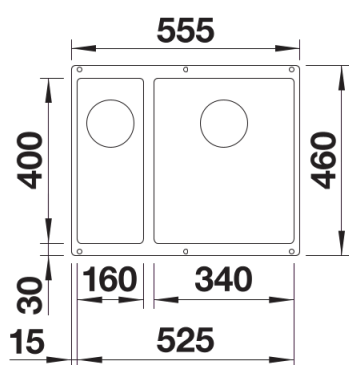
Planning information

- InFino basket strainer and waste components must be ordered separately

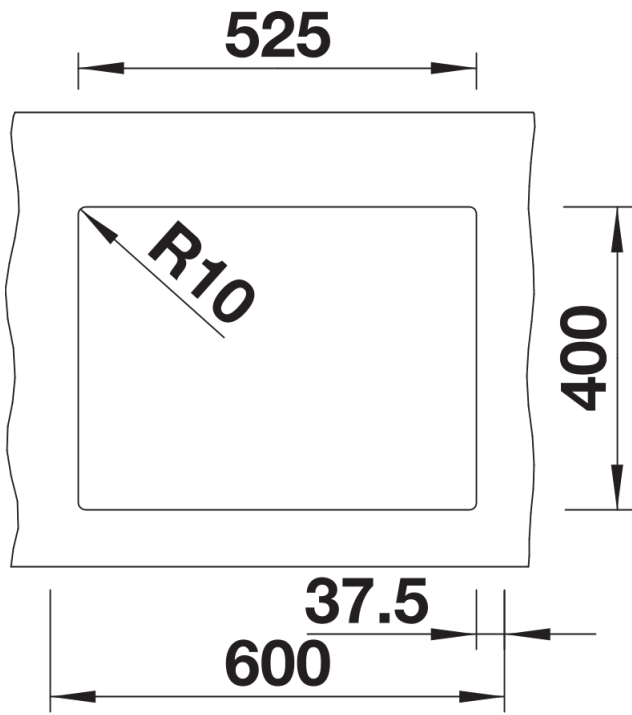
Scope of supply

- Fixing kit

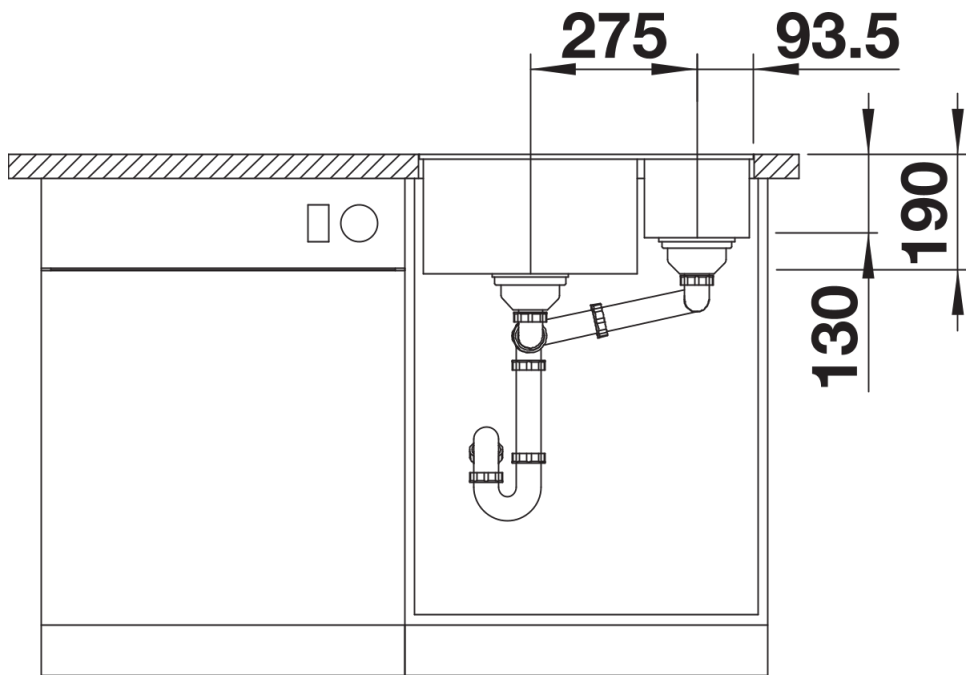
Details



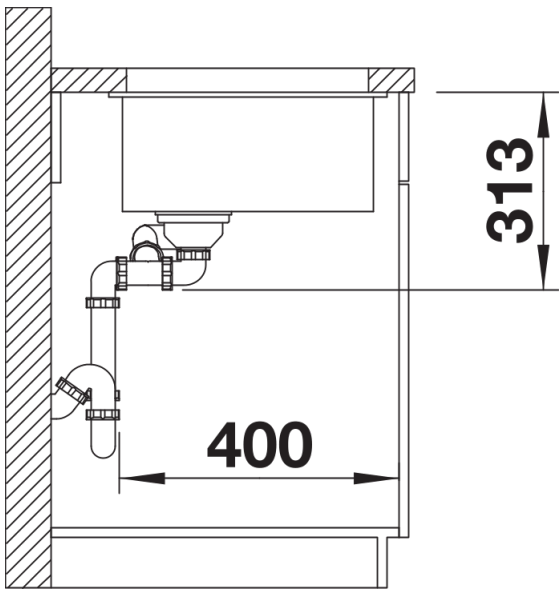
Top view



Cut-out



Front view



Side view