

Product information sheet SUBLINE 350/350-U for Coloured Components

Item no. 527830

Benefits



- Create perfect colour harmony by choosing a Coloured Components InFino set (ordered separately) to match the tap finish
- Our versatile SUBLINE kitchen sink range fits harmoniously into the worktop: great for minimalist kitchens
- Straight-lined design: timelessly elegant
- Two bowls soak baking trays in one sink and leave the other for separate tasks

Colours



Available colours:

black
anthracite
rock grey
volcano grey
white
soft white
tartufo
coffee

SILGRANIT rock grey

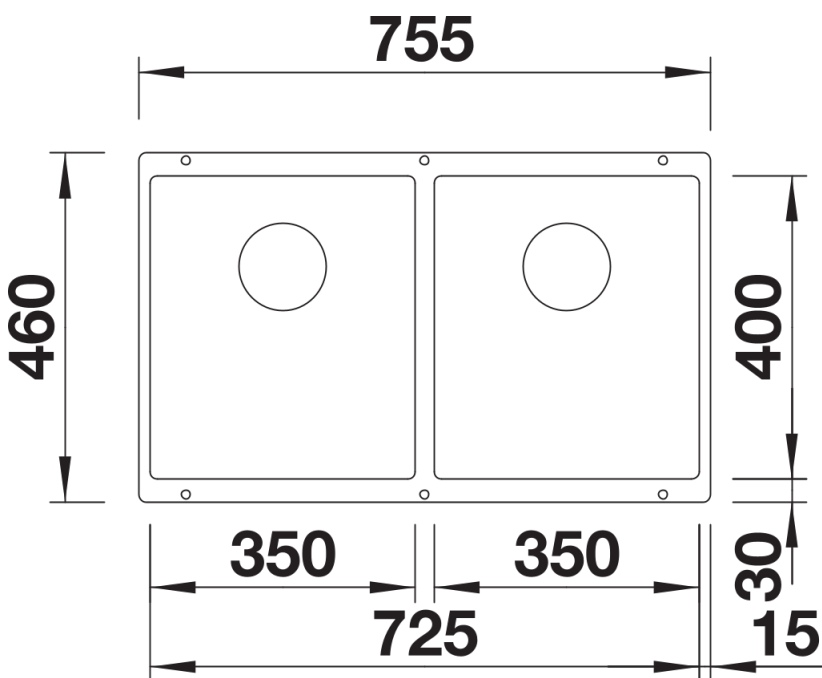
Planning information

- InFino basket strainer and waste components must be ordered separately

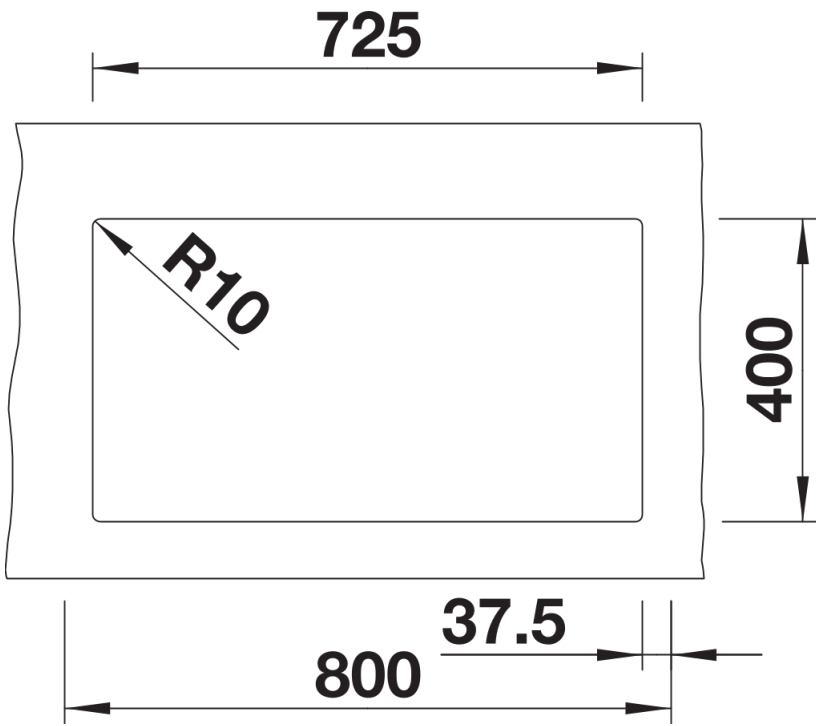
Scope of supply

- Fixing kit

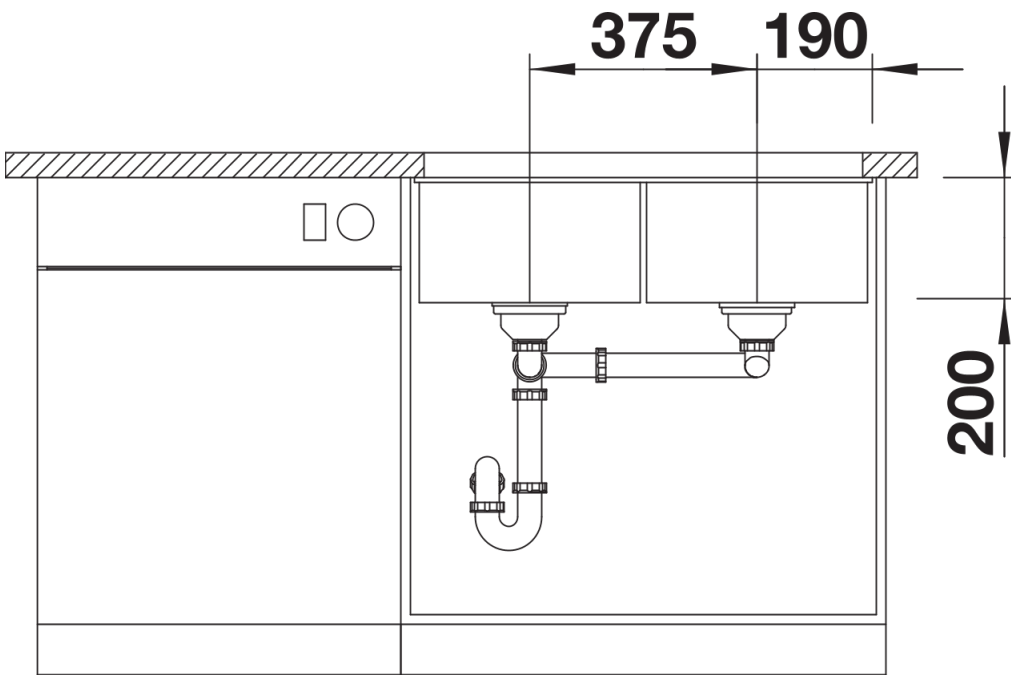
Details



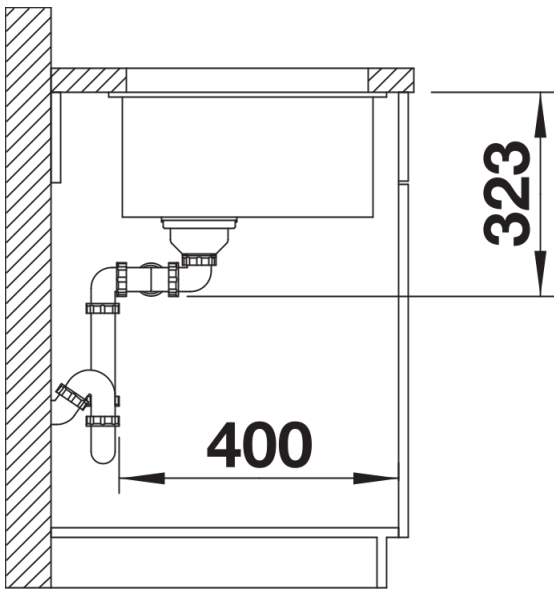
Top view



Cut-out



Front view



Side view