

Product information sheet SELECT II 40/2 Combi

Item no. 527854

Benefits

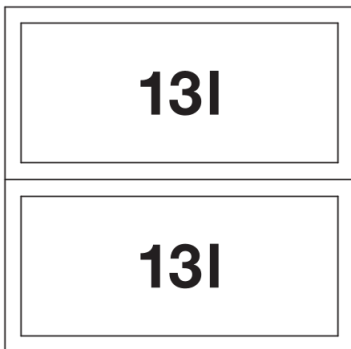


- The meticulously designed solution for BLANCO drink systems: making good use of the base cabinet space thanks to the harmonious interaction of all system components
- Particularly good access to the water conditioning unit for changing the filter or CO2 cylinders
- Everything in one place: the integrated shelf provides room for 4 x CO2 cylinders
- All of the system components have a matching design
- All parts are easy to clean thanks to the generous and smooth surfaces

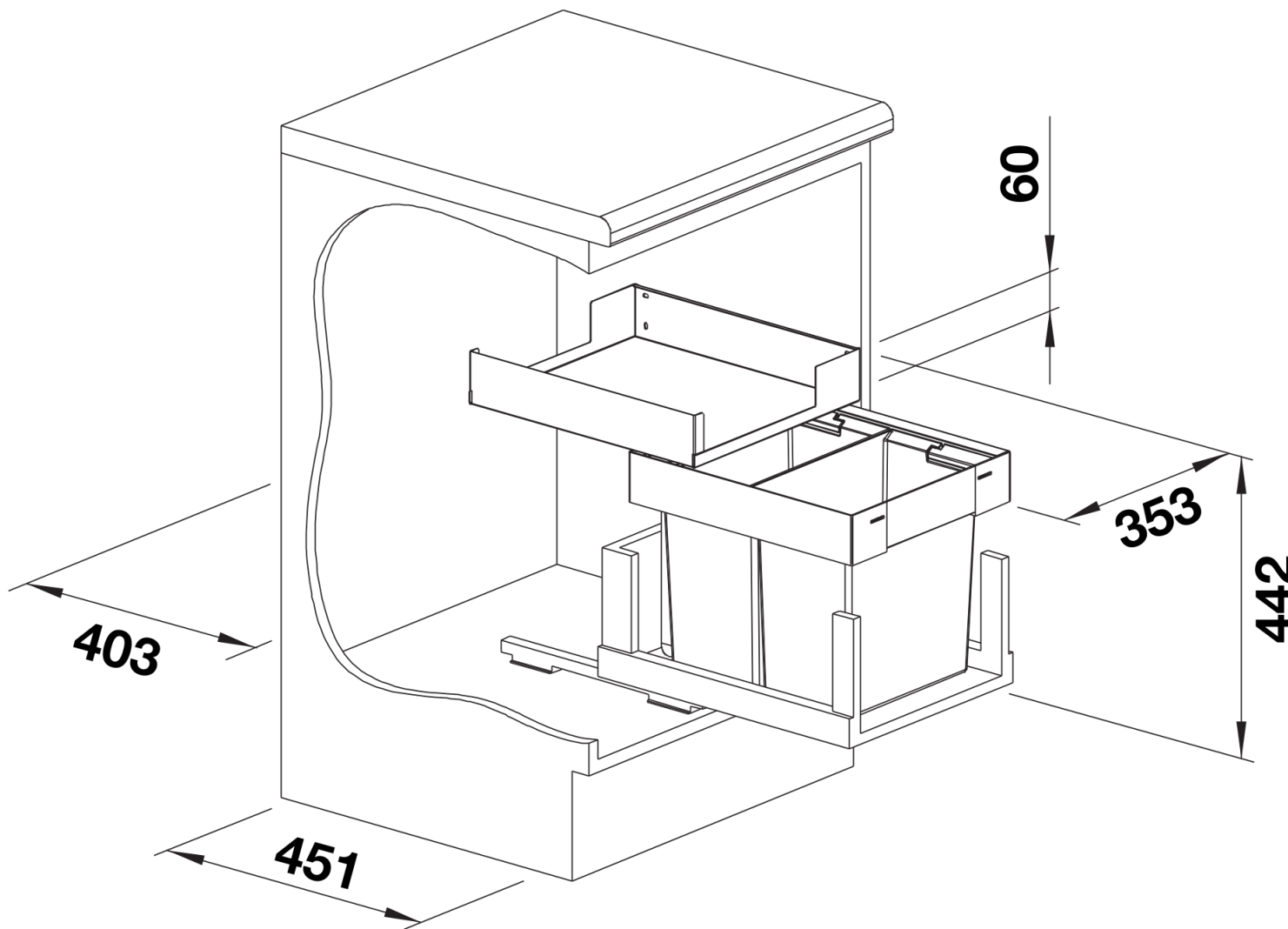
Scope of supply

- Pull-out system for front attachment
- drawer
- pull-out rails
- integrated shelf
- 2 x 13 litre bins.

Details



Top view



PRODUKT_3D