

## Product information sheet ANDANO 500-IF

Item no. 522965

### Benefits

---



- Unique composition of visual and functional elements
- The combination of radii and surface design creates a modern design
- High quality features consisting of a covered C-overflow and modern basket strainer
- Large bowl capacity and fully usable base
- For installation from above or under mount installation
- Optional premium accessories are available

## Planning information

---

- Cut out size: 530 x 430 x 15R

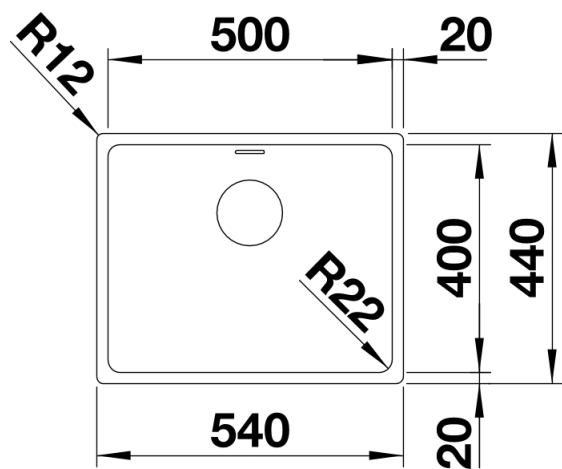
## Scope of supply

---

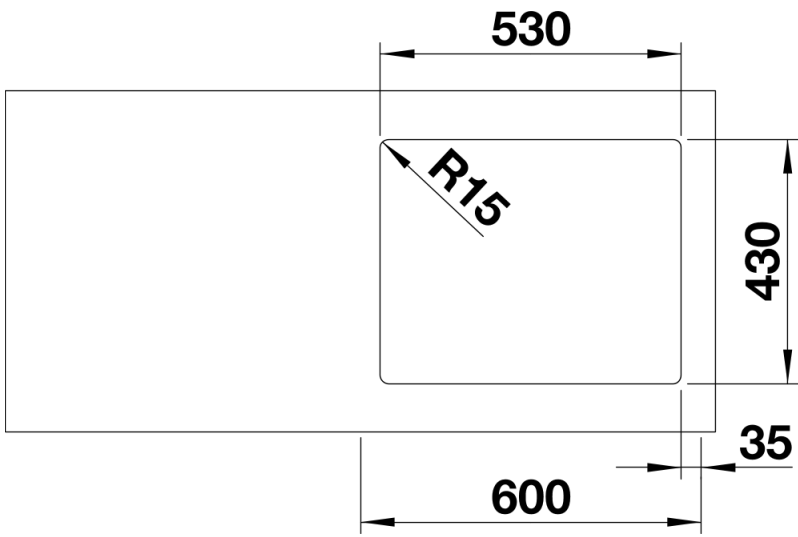
- Waste and overflow fitting with space-saving pipe
- 3 1/2" basket strainer
- fixing kit (sealing not included)

## Details

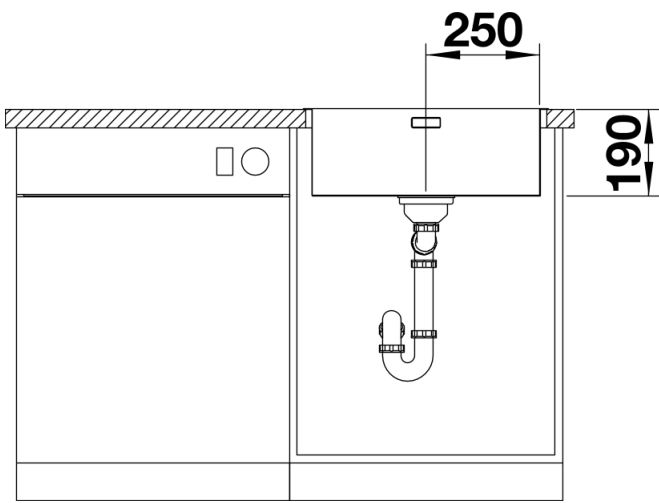
---



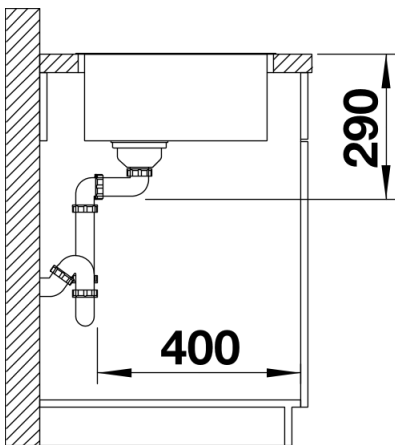
Top view



Cut-out



Front view



Side view