

Product information sheet ANDANO XL 6 S-IF

Item no. 522999

Benefits



- Elegant modern design with multifunctional elements
- Modern bowl design with tight corner and base radii and the covered C-overflow
- Large bowl capacity and fully utilisable base
- Hang-in colander integrates flush in the sink design
- Lateral tap ledge - easily accessible and practical, also for window installations
-

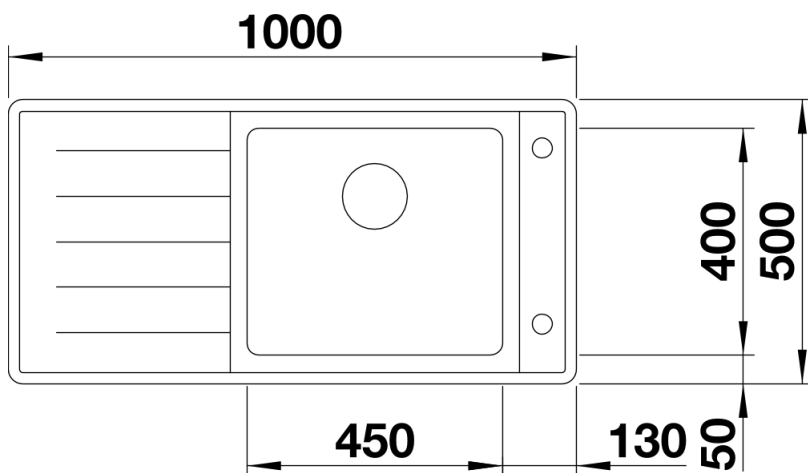
Planning information

- Cut out size: 976 x 476 x R15
- Please state hand of bowl

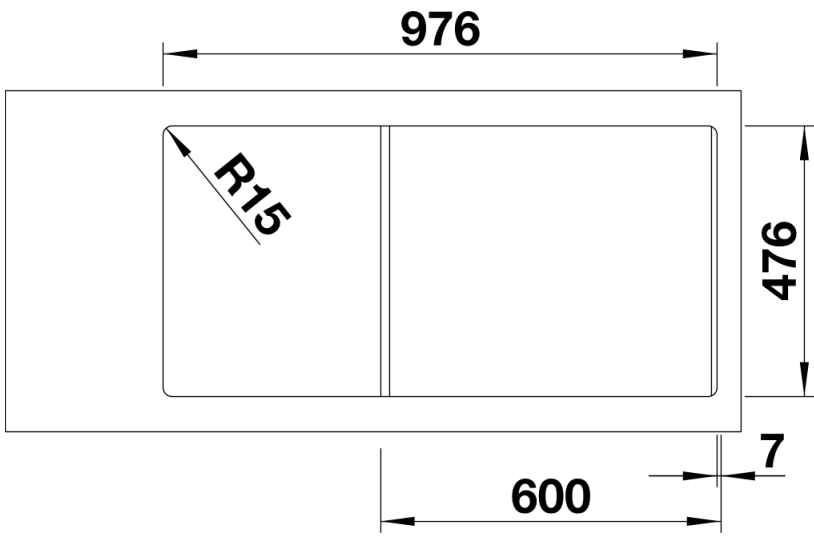
Scope of supply

- multifunctional bowl, Waste and overflow fitting with space-saving pipe, 3 1/2" basket strainer with remote pop-up control, fixing kit (to be sealed on site)

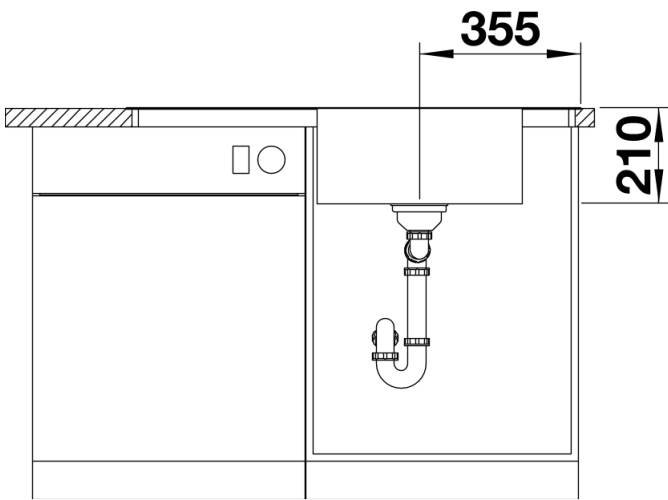
Details



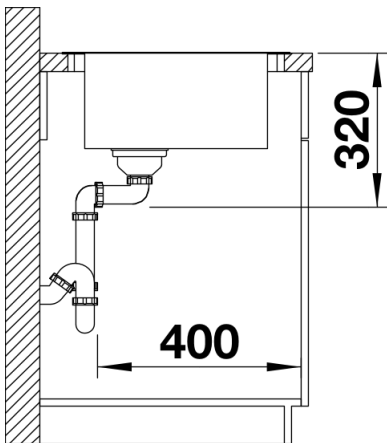
Top view



Cut-out



Front view



Side view