

## Product information sheet CREST

Item no. 453513

### Benefits

---



- Simple, understated and extremely practical
- Perfect for the compact kitchen
- Classic single lever tap
- Operates at low water pressure

### Colours

---



Available colours:  
chrome

galvanic chrome

## Planning information

---

- Please note:
- Suitable for low pressure gravity, pressure systems (max. 5.0 bar) min. 0.3 bar (approx. 3 metre head)
- Height: 255
- Reach: 210
- Base: 50
- Tap hole: ø35

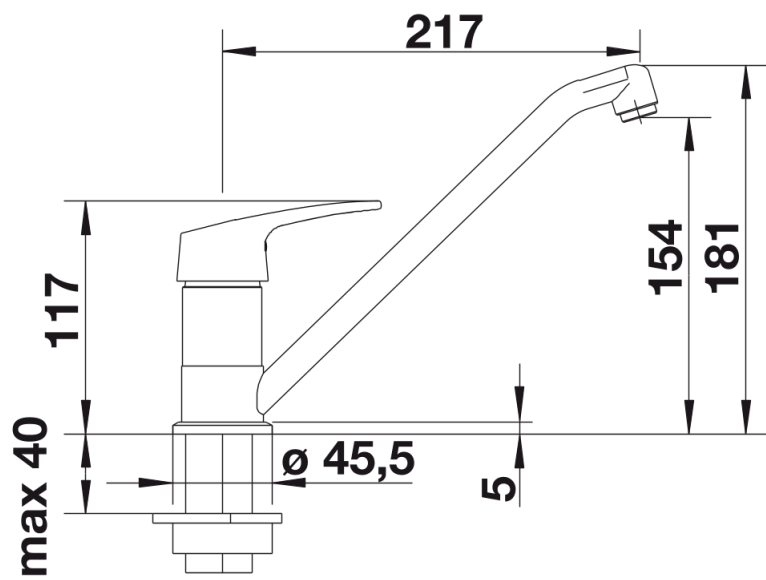
## Scope of supply

---

- Single lever monobloc mixer tap
- Ceramic disc control
- 15mm copper inlets

## Details

---



Side view