

Product information sheet ESSENTIAL 530-U

Item no. 453665

Benefits



- Unique Essential shape allows for compact installation
- Universal handing for greater flexibility
- High quality 18/10 Stainless Steel

Planning information

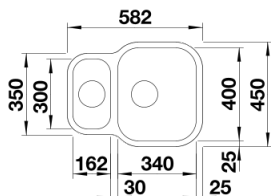
- Cut out information supplied with bowls.
Cut out CNC files also available on www.blanco.co.uk for download.

Universal handing

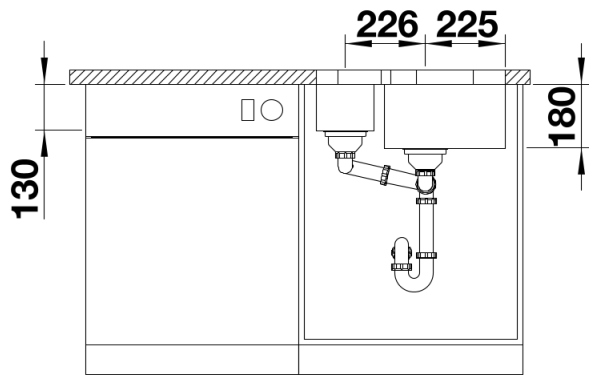
Scope of supply

- With 3 ½" waste kits and overflow

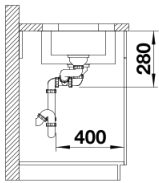
Details



Top view



Front view



Side view