

## Product information sheet JURENA

Item no. 520764

### Benefits

---



- Distinctive design
- High outlet for easy filling of pots and vases
- High positioned, ergonomic control lever

### Colours

---



Available colours:  
chrome

galvanic chrome

## Planning information

---

- Please note:
- Requires a balanced high pressure supply only, min 2.0 bar, preferred 2.0 - 2.5 bar
- 3/8" BSP connectors required (not supplied)
- Height: 350
- Reach: 215
- Base: 50
- Tap hole: ø35

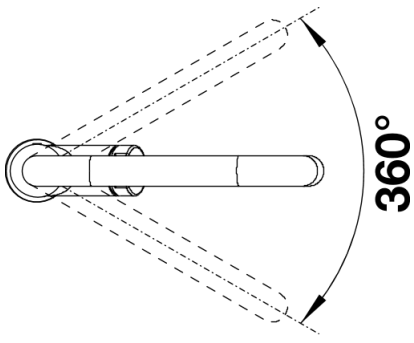
## Scope of supply

---

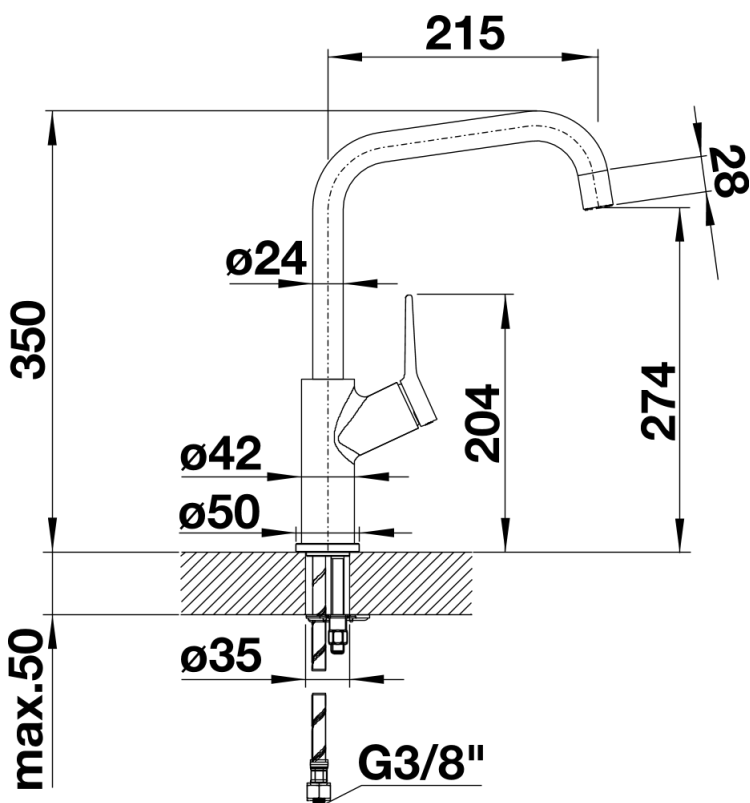
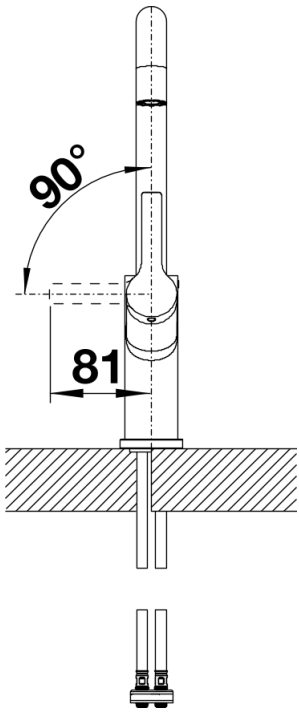
- Spout can be swivelled by 360°
- Ø 35 mm tap hole required
- With ceramic disk cartridge
- Flexible connector pipes, 450 mm long and 3/8" nut for particularly easy installation
- Patented jet regulator for markedly reduced scaling
- Stabilisation plate to increase the stability of the tap when fitted in stainless steel sinks
- Applied for LGA certificate
- Applied for DVGW certificate

## Details

---



Swivel range



Side view