

Product information sheet JURENA

Item no. 520764

Benefits



- Distinctive design
- High outlet for easy filling of pots and vases
- High positioned, ergonomic control lever

Colours



Available colours:

chrome

galvanic chrome

Planning information

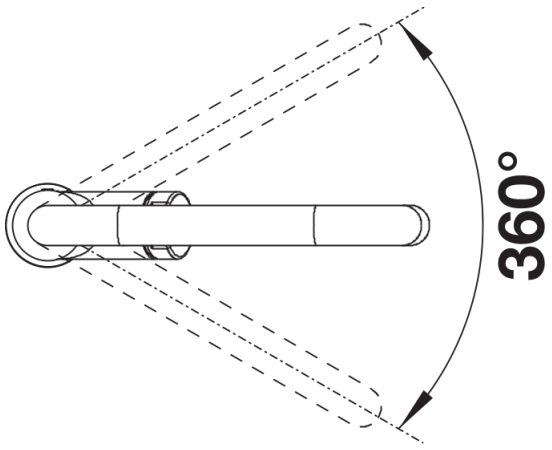
Please note:

- Requires a balanced high pressure supply only, min 1.0 bar
- $\frac{3}{8}$ " BSP connectors required (not supplied)
- Height: 350mm
- Reach: 215mm
- Base: 50mm
- Tap hole: \varnothing 35mm

Scope of supply

- Single lever monobloc mixer tap
- Ceramic disc control
- $\frac{3}{8}$ " flexible connector pipes, 450mm long for particularly easy installation
- Patented jet regulator for markedly reduced scaling
- Requires a balanced high pressure supply only, minimum 1.0 bar
- Fit metal stabilising bracket if required, item No. 513383

Details



Swivel range

