

Product information sheet LEMIS 6 S-IF

Item no. 454729

Benefits



- Modern linear shape
- Maximized bowl capacity for more functionality
- Spacious tap ledge and drainer area
- Elegant IF flat-rim for installation from above
- Can be installed reversibly
- 3 ½" basket strainer

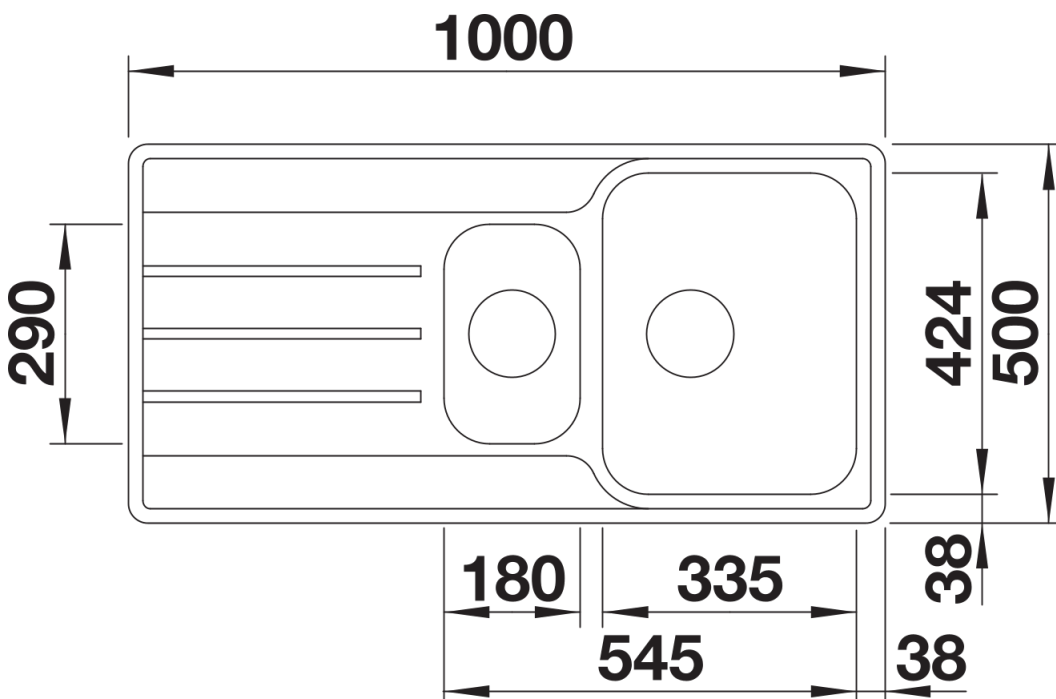
Planning information

- Cut out size: 980 x 480 x R15
- Universal handing

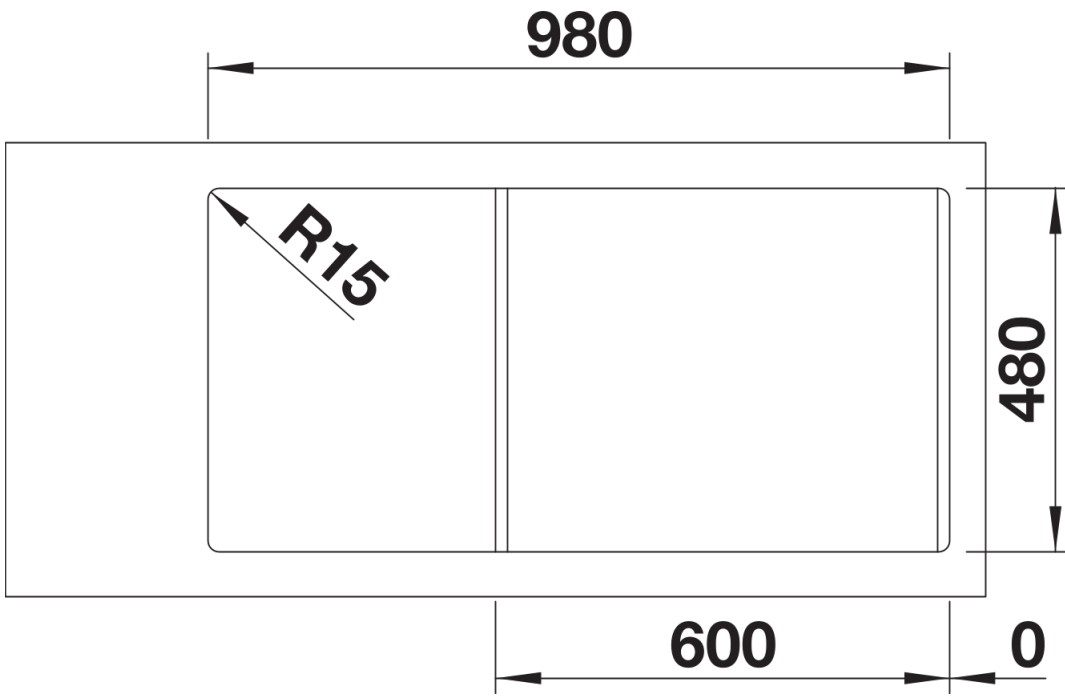
Scope of supply

- Waste fitting with space-saving pipe
- 3 ½" basket strainer

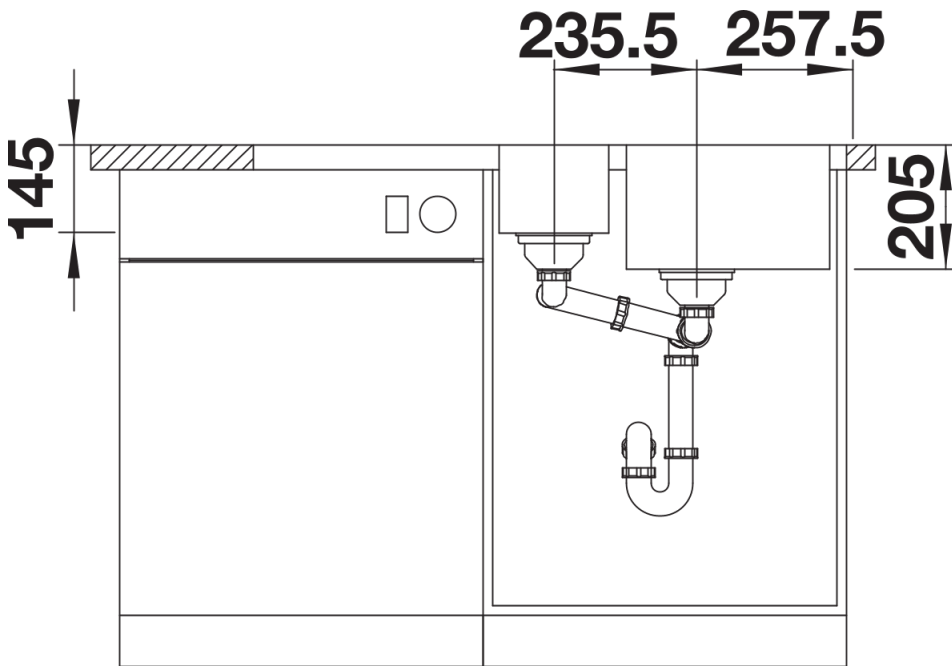
Details



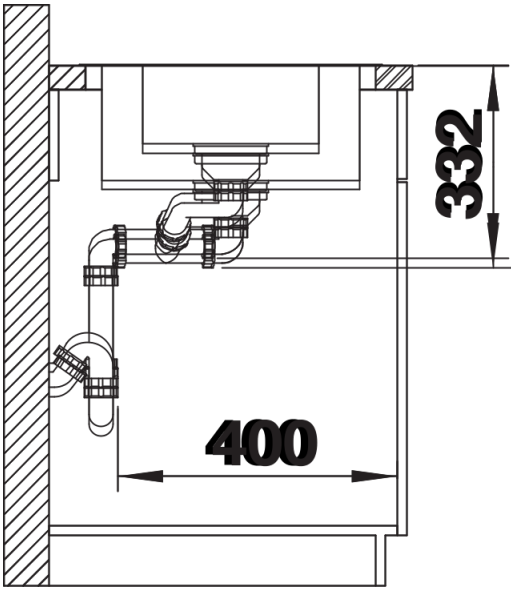
Top view



Cut-out



Front view



Side view