

## Product information sheet LEMIS 45 S-IF

Item no. 454795

### Benefits

---



- Modern linear shape
- Maximized bowl capacity for more functionality
- Spacious tap ledge and drainer area
- Elegant IF flat-rim for installation from above
- Can be installed reversibly
- 3 ½" basket strainer

## Planning information

---

- Cut out size: 840 x 480 x R15
- Universal handing

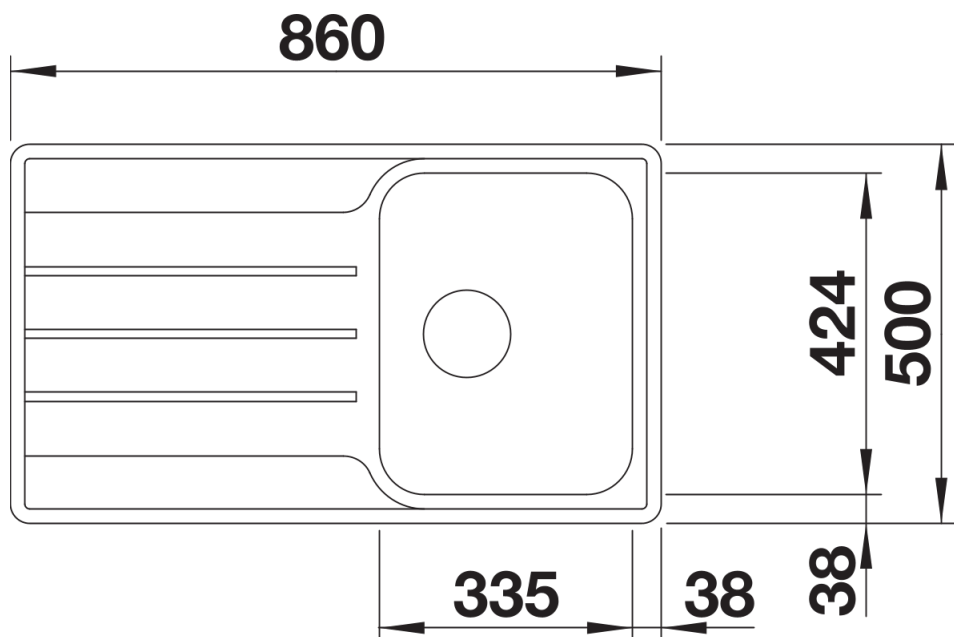
## Scope of supply

---

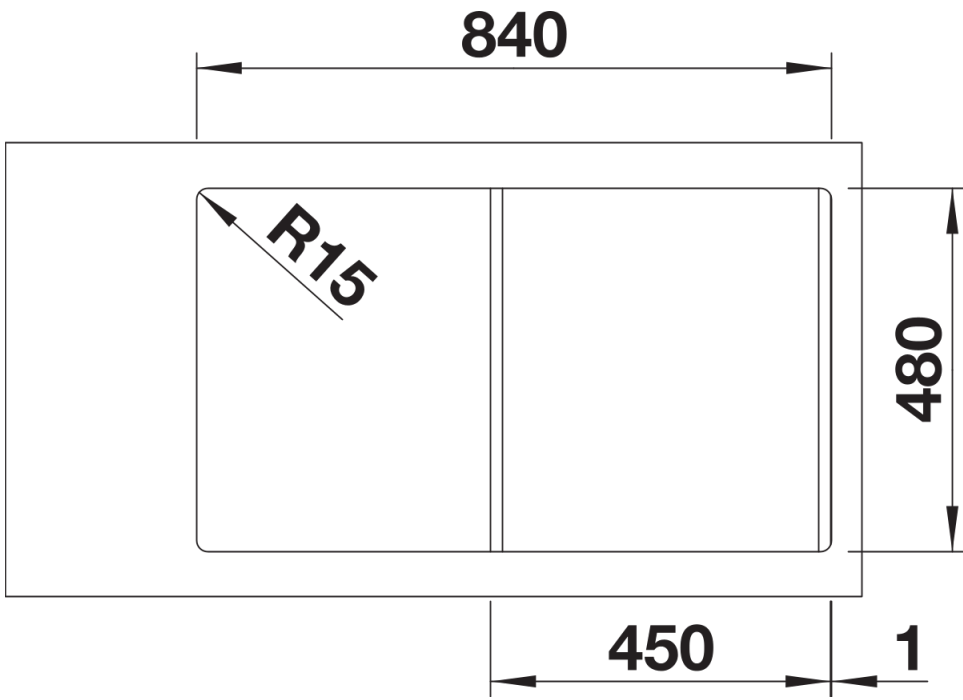
- Waste fitting with space-saving pipe
- 3 ½" basket strainer

## Details

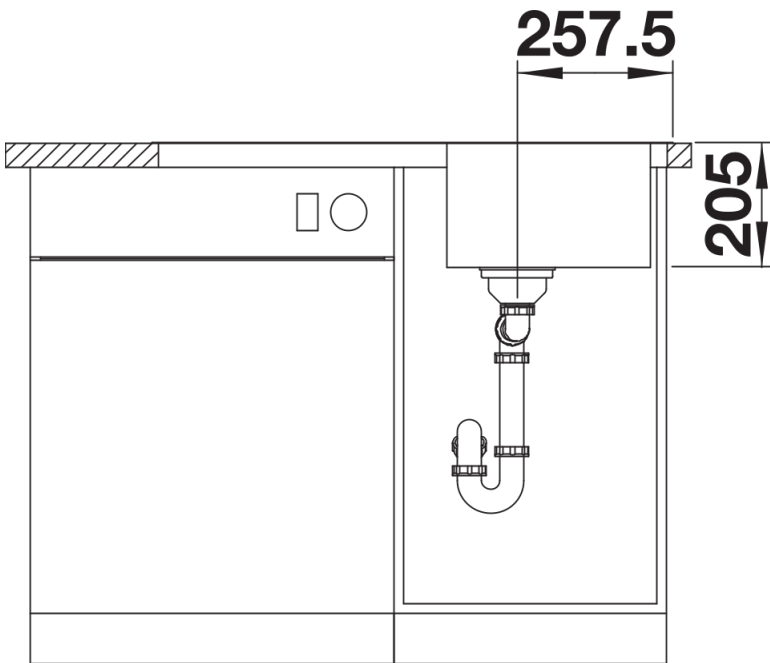
---



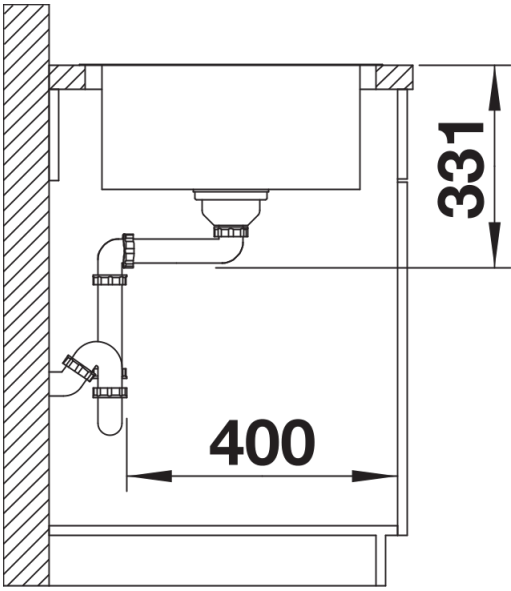
Top view



Cut-out



Front view



Side view