

## Product information sheet LEMIS 45 S-IF

Item no. 454795

### Benefits

---



- Modern linear shape
- Maximized bowl capacity for more functionality
- Spacious tap ledge and drainer area
- Also with the attractive IF flat rim: flexible for flush mount installation or inserted from above for a flush mount effect
- Can be installed reversibly
- 3 1/2" basket strainer

## Planning information

---

- Cut out size: 840 x 480 x R15
- Universal handing

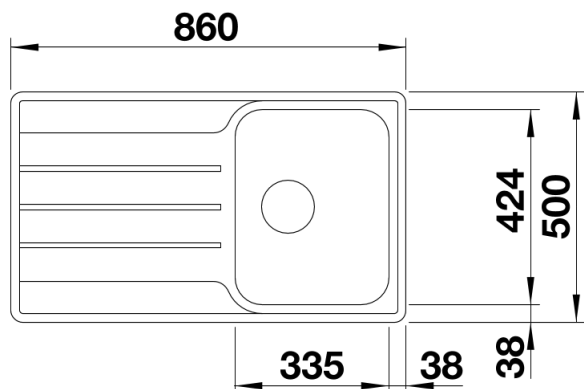
## Scope of supply

---

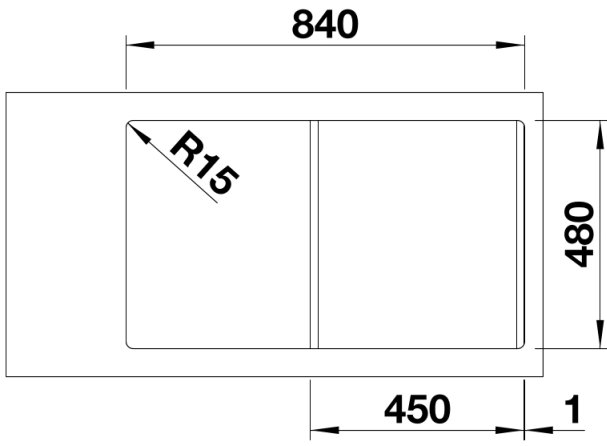
- Waste fitting with space-saving pipe, 3 1/2" basket strainer

## Details

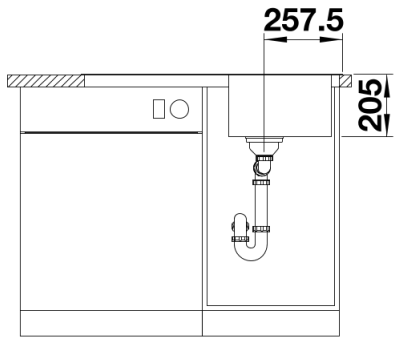
---



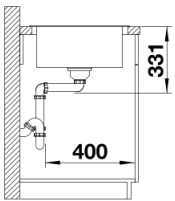
## Top view



Cut-out



Front view



Side view