

## Product information sheet ZIA 5 S

Item no. 527387

### Benefits

---



- Timeless and practical sink design
- Significant drainer grooves channel water into the sink, not your worktop
- Generous tap ledge to reduce water splashes on the worktop
- Stainless steel basket strainer catches food debris helping prevent drain blockages
- Reversible installation: position the sink to the left or right of the drainer, depending on your kitchen layout

## Colours

---



Available colours:

black

anthracite

volcano grey

white

soft white

SILGRANIT volcano grey

## Planning information

---

- Cut out size: 840 x 480 x R15, Universal handing

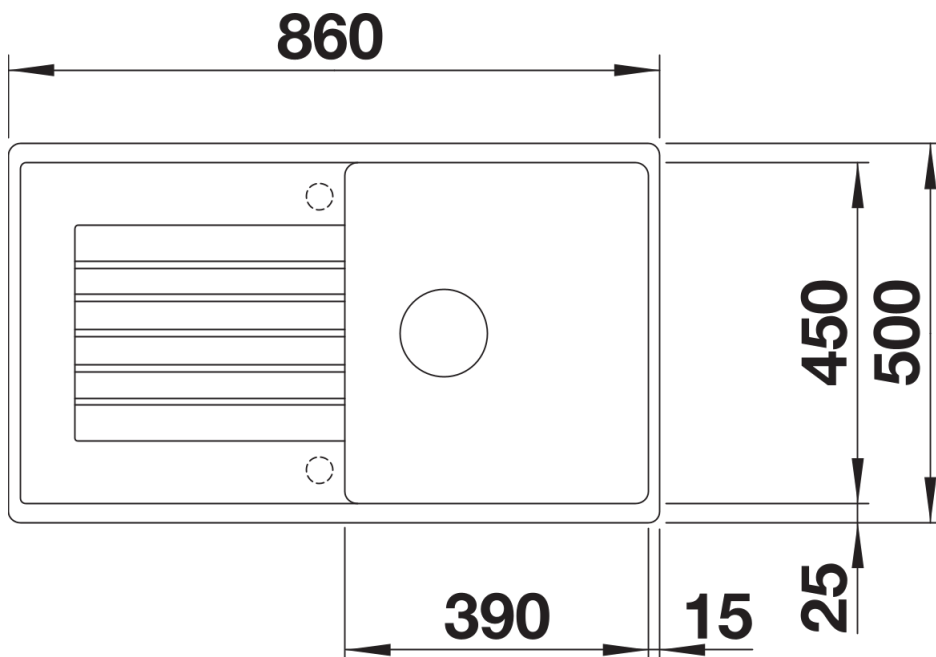
## Scope of supply

---

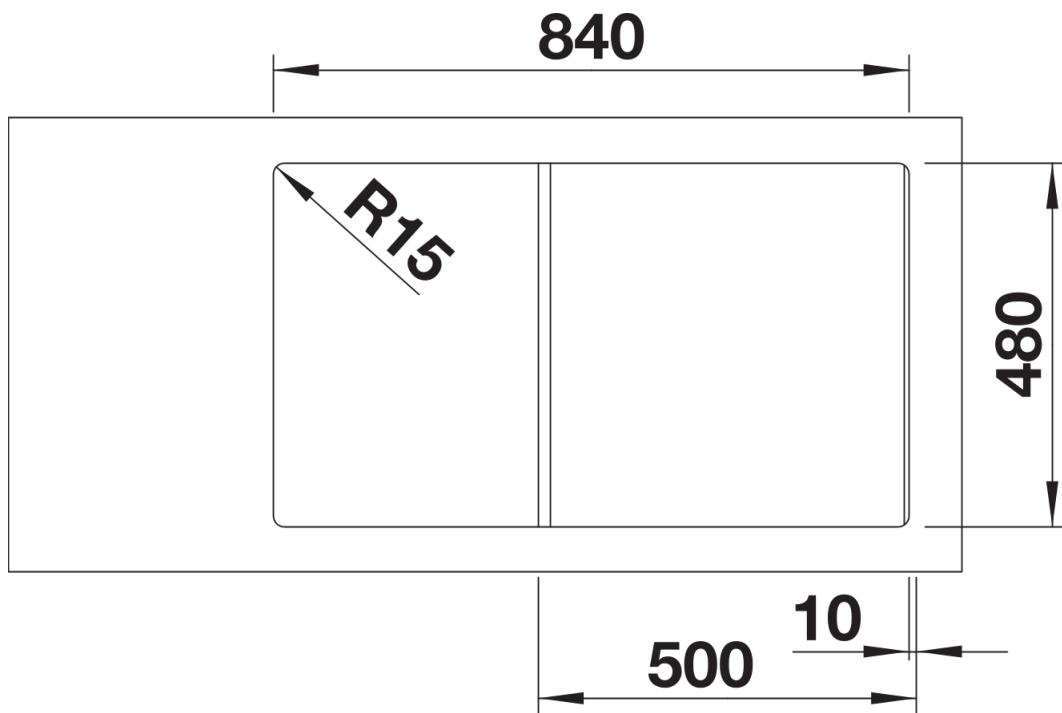
- Waste fitting with space-saving pipe  
- 3 ½" basket strainer

## Details

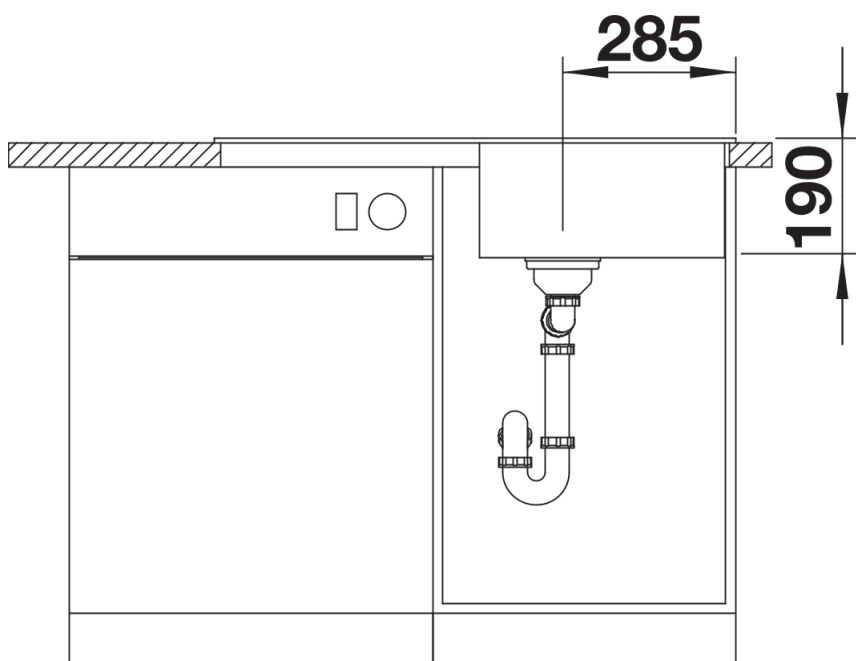
---



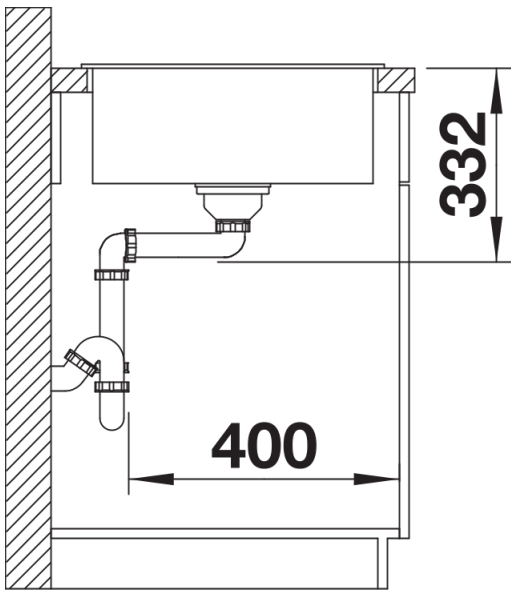
Top view



Cut-out



Front view



Side view