

Product information sheet ANDANO 500-U

Item no. 522967

Benefits



- Unique composition of visual and functional elements
- The combination of radii and surface design creates a modern design
- High quality features consisting of a covered C-overflow and modern basket strainer
- Large bowl capacity and fully usable base
- For installation from above or under mount installation
- Optional premium accessories are available
-

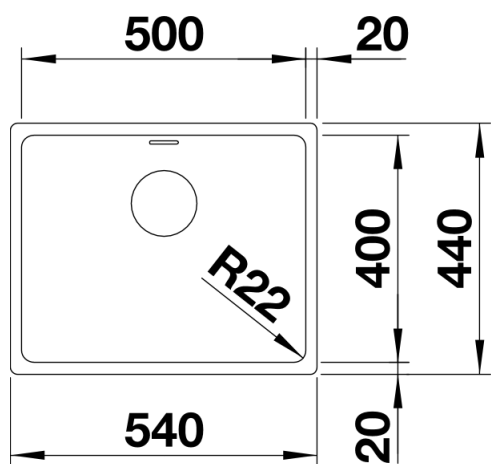
Planning information

- Cut out size: 500 x 400 x 22R

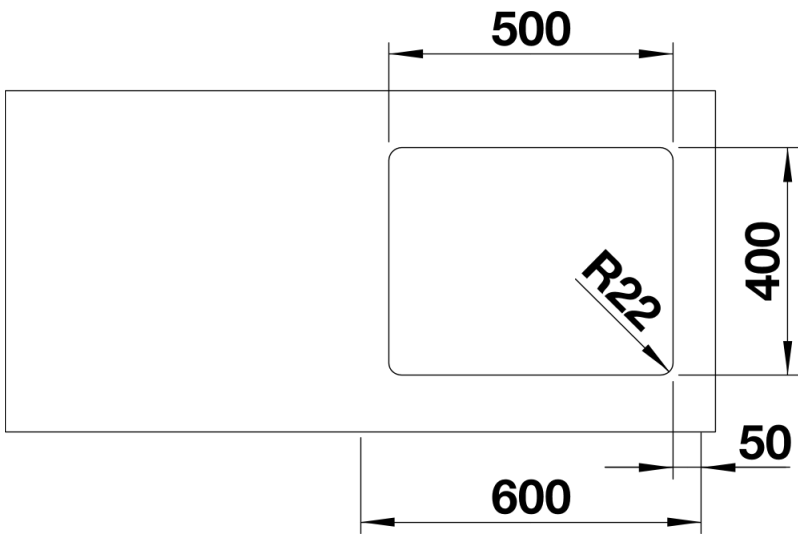
Scope of supply

- Waste and overflow fitting with space-saving pipe, 3 1/2" InFino basket strainer, fixing kit (sealing not included)

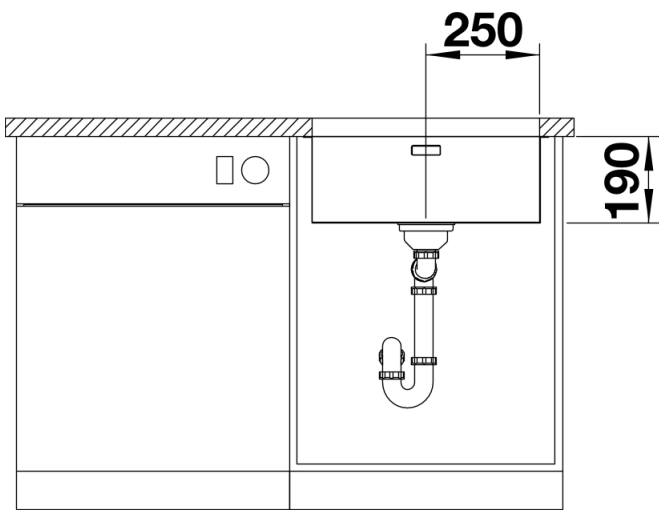
Details



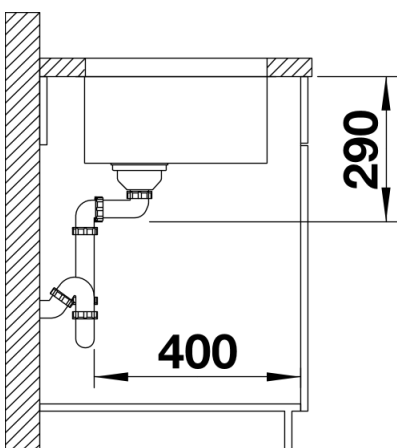
Top view



Cut-out



Front view



Side view