

Product information sheet AVONA-S

Item no. 521277

Benefits



- Exciting interplay between round and rectangular shapes
- Tapering body, gentle incline in spout
- With extending spray in high-quality
- Stylish L shaped spout

Colours



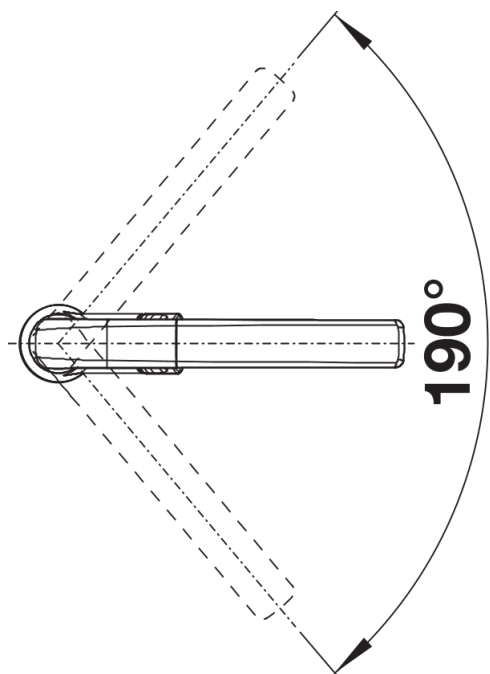
Available colours:
chrome

galvanic chrome

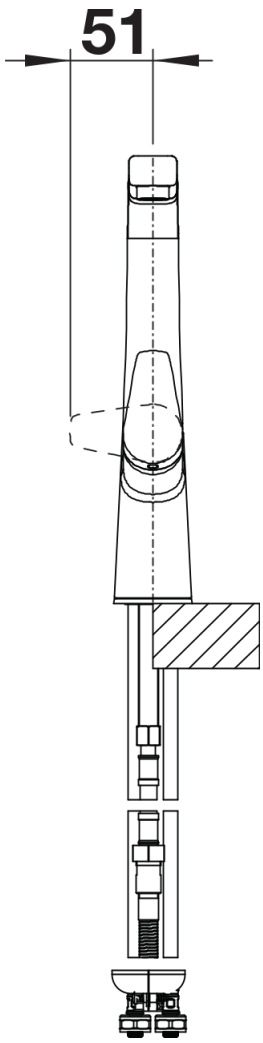
Scope of supply

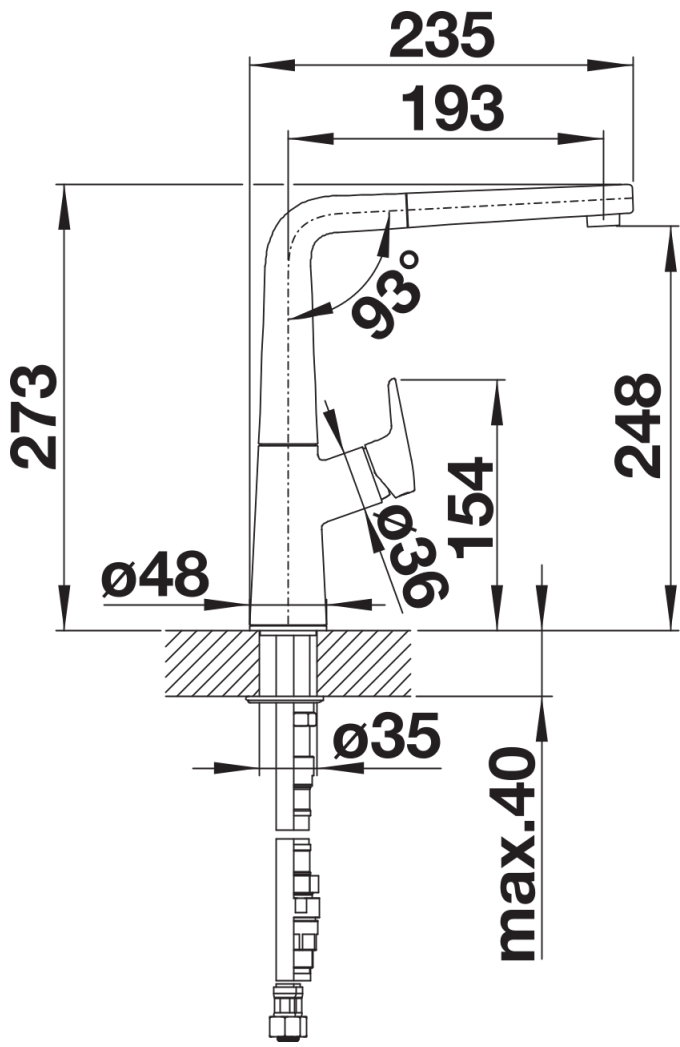
- Single side lever monobloc mixer tap with pull-out handset
- Ceramic disc control
- $\frac{3}{8}$ " flexible connector pipes, 450mm long for particularly easy installation
- Patented jet regulator for markedly reduced scaling
- Requires a balanced high pressure supply only, min 2.0 bar
- Fit metal stabilising bracket if required, item No. 513383

Details



Swivel range





Side view