

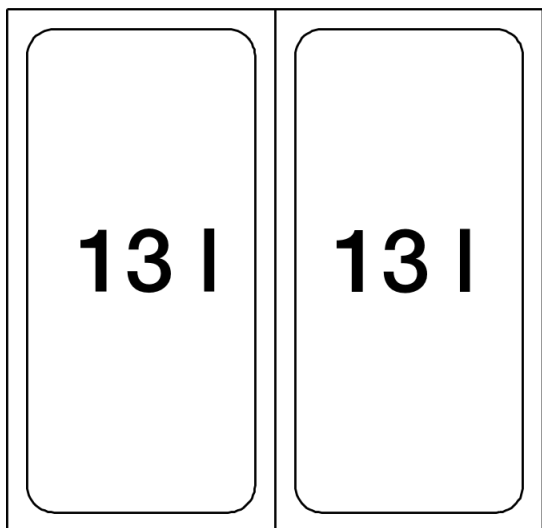
Planning information

- Advice for installation of BLANCO BOTTON Pro Manual:
- Please take into account the width of the cabinet door hinges. Installation depth 400 mm.

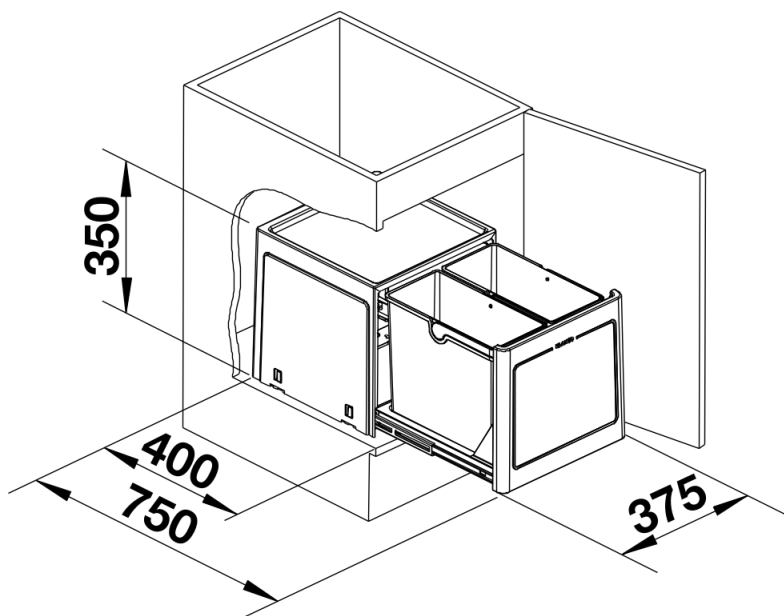
Scope of supply

- 26 litre capacity
- 2 containers
- Template provided

Details



Top view



PRODUKT_3D