

Product information sheet BOTTON Pro 45/2 Manual

Item no. 517467

Benefits



- Simple assembly for quick and easy installation
- Stable system with clever integrated design
- Easy-glide ball guidance for full extension
- Functional handle for comfortable handling
- Best space utilisation for 30, 45 and 60 base cabinets
- Easy-to-clean buckets with ergonomic handle
- Large waste or storage space volume in compact space

Planning information

- Advice for installation of BLANCO BOTTON Pro Manual:
- Please take into account the width of the cabinet door hinges. Installation depth 400mm.

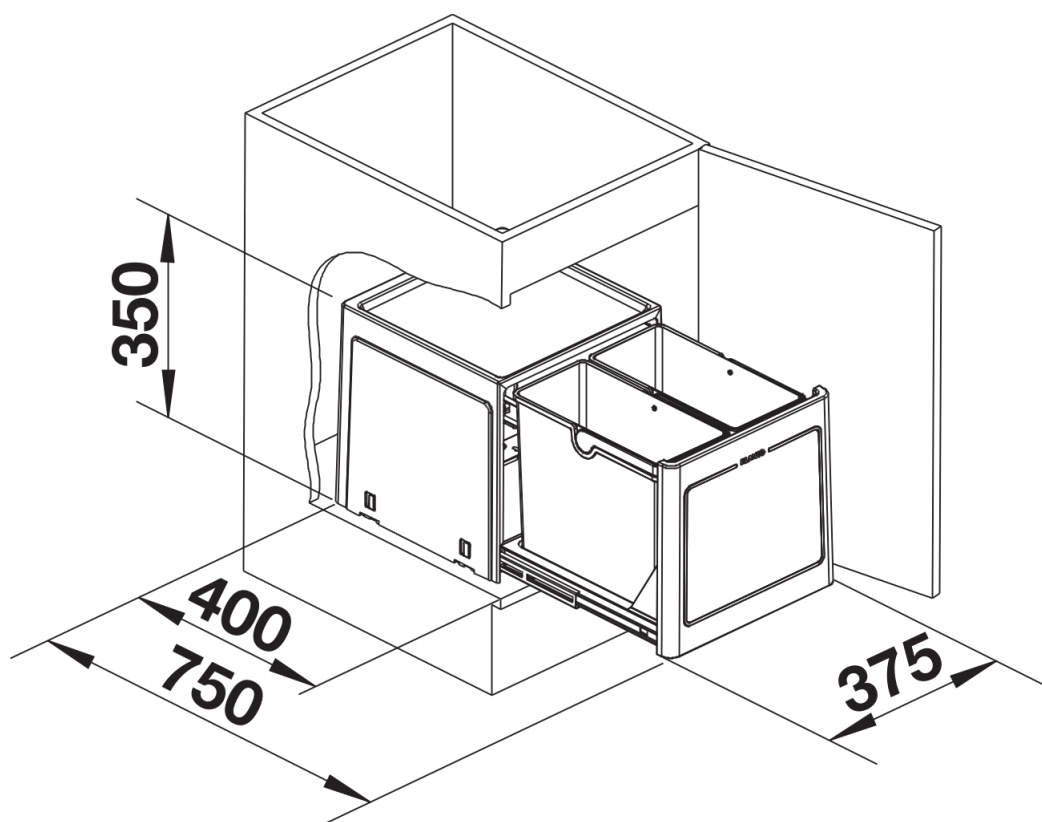
Scope of supply

- 26 litre capacity
- 2 x 13 litre containers
- Template provided

Details



Top view



PRODUKT_3D