

Product information sheet AXIS III 5 S-IF

Item no. 522103

Benefits



- Accentuated base contours create an aesthetically pleasing contoured bowl with large base area
- Practical additional draining bowl with stainless steel insert
- Flowing ergonomic work processes along two axis
- High-quality features with drain remote control, covered C-overflow and InFino drain system – elegantly integrated and easy-care

Planning information

- Cut out size: 894 x489 x R15, Universal handing

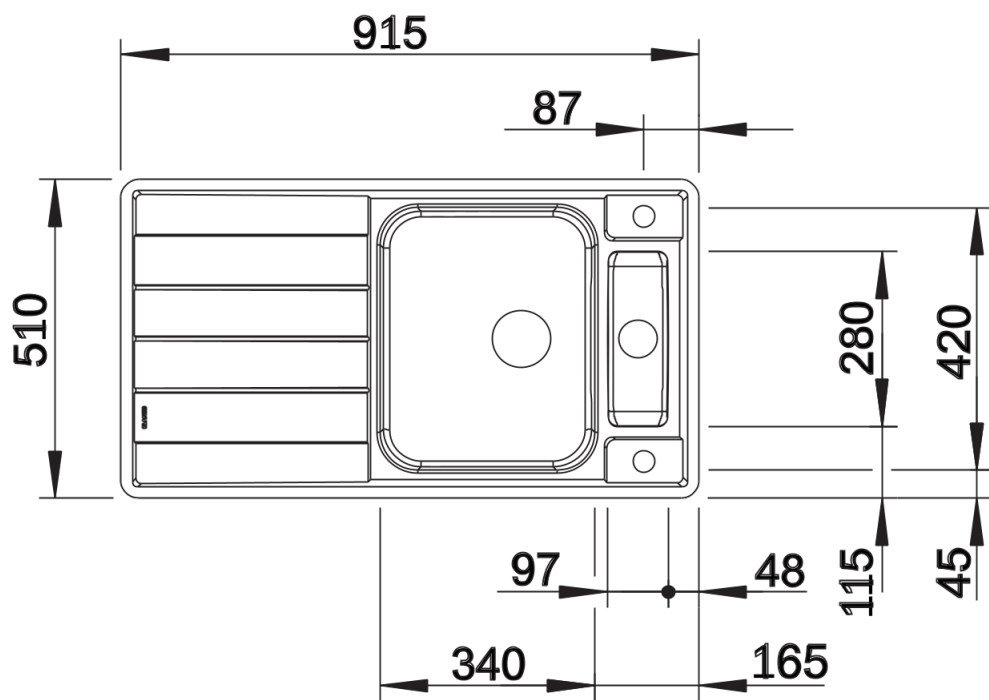
Scope of supply

- Movable glass cutting board
- perforated stainless steel insert
- waste fitting with space-saving pipe
- 3 ½" InFino basket strainer and 1 ½" InFino non-sealing basket strainer
- pop-up waste for main bowl

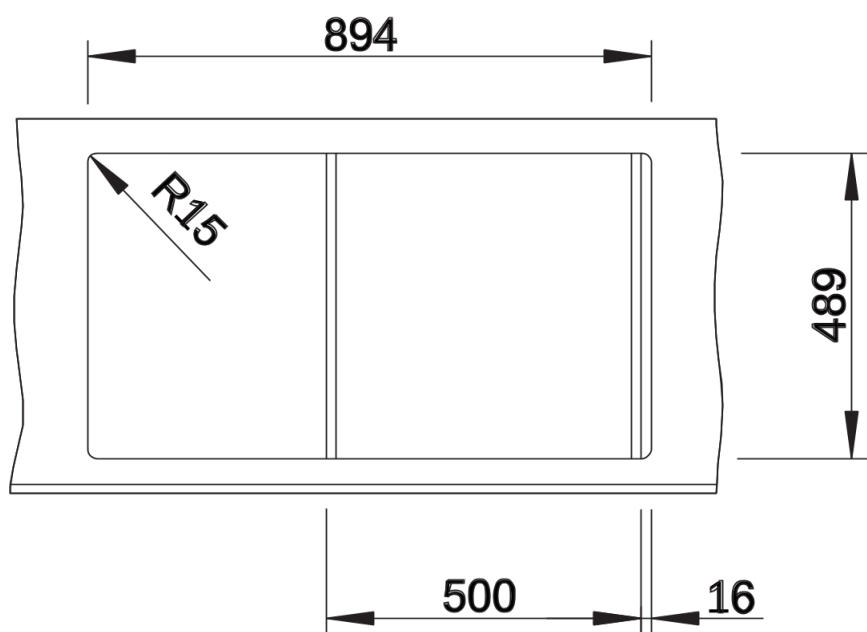
234047 - Glass cutting board

224789 - Stainless steel colander

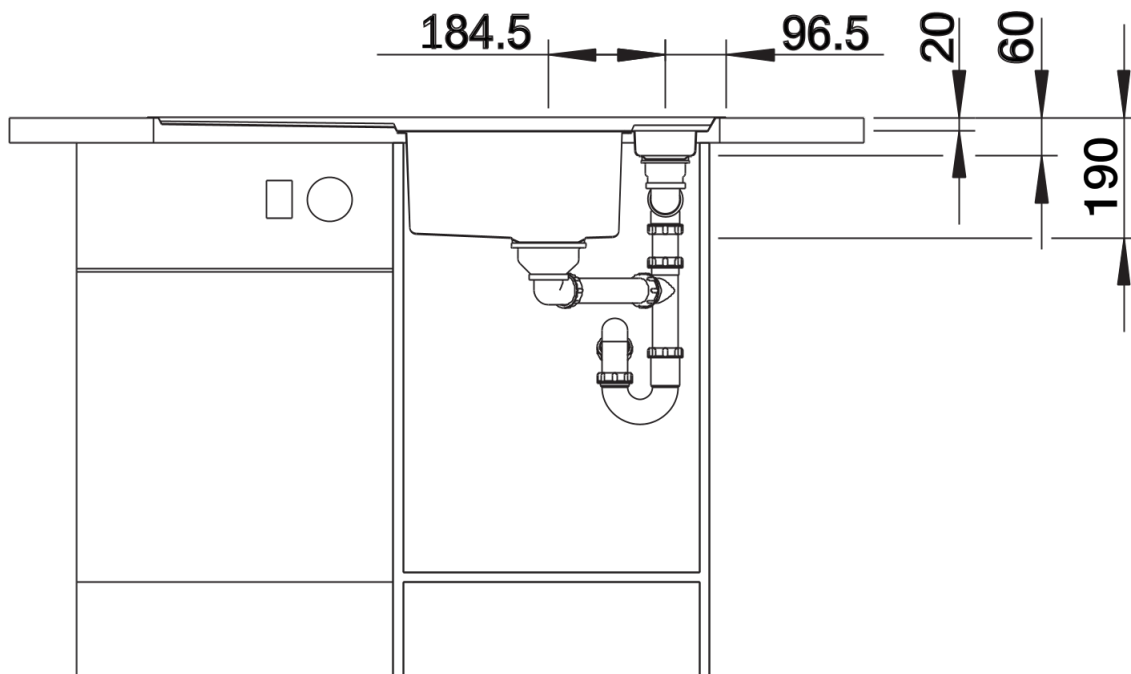
Details



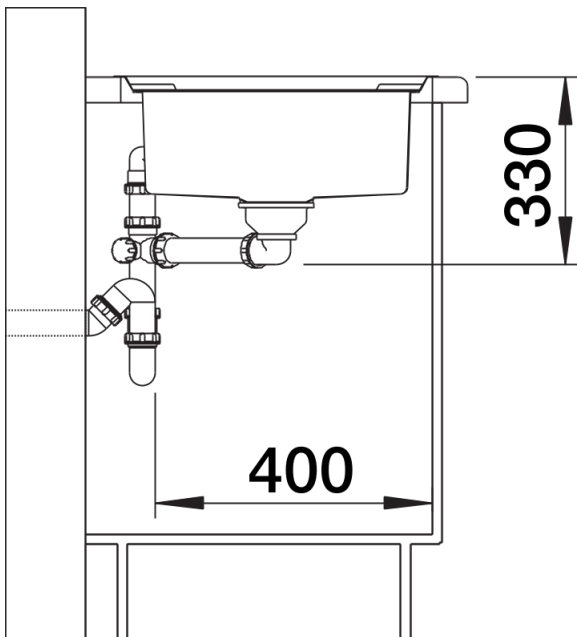
Top view



Cut-out



Front view



Side view