

Product information sheet CATRIS-S

Item no. 521476

Benefits



- Semi-professional style mixer tap
- Classic design
- Flexible spout with a stainless steel spring on a movable spray
- Spray easily removable from the holder
- Variable jet options - aerated stream to powerful rinse spray
- Precise magnetic holder ensures convenient hose docking

Colours



Available colours:

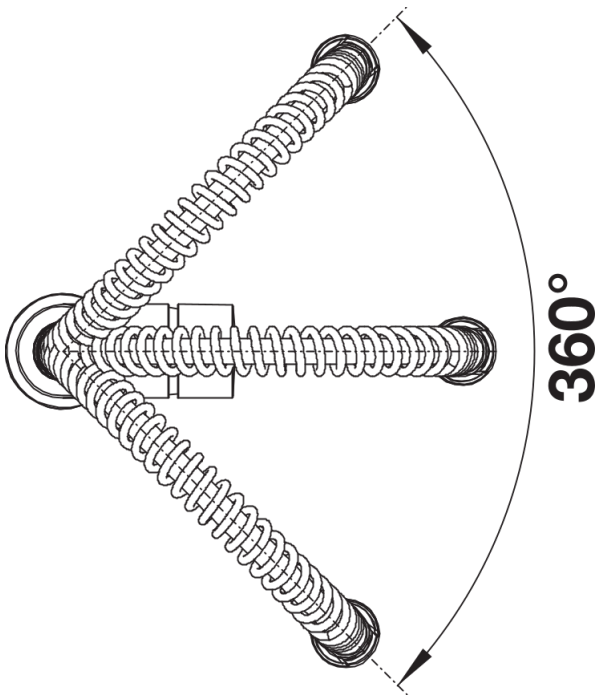
chrome

galvanic chrome

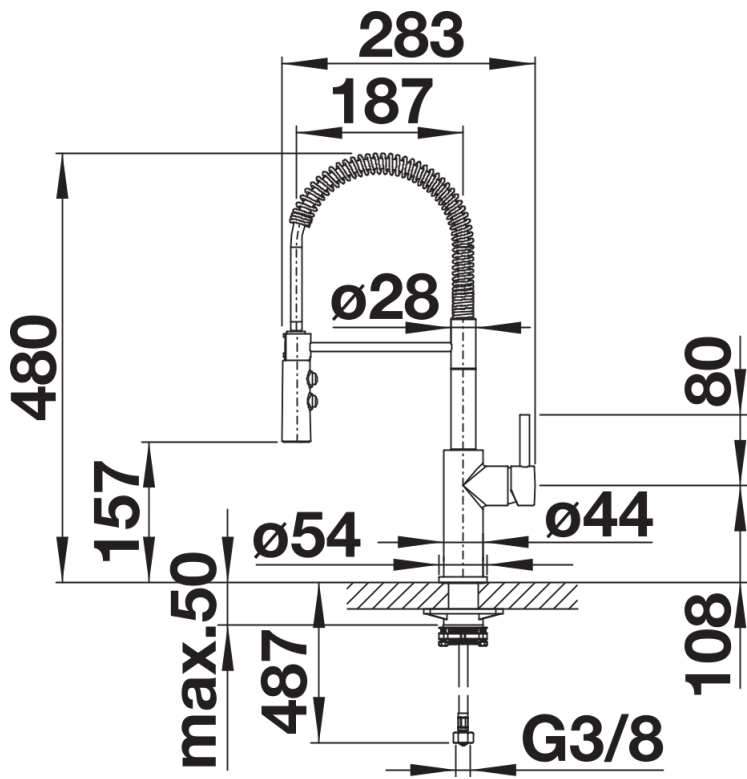
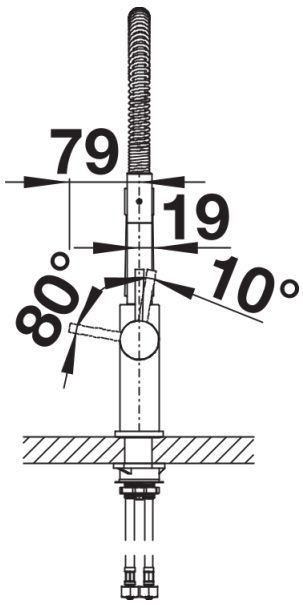
Scope of supply

- Ø 35 mm tap hole required
- Flexible connector pipes, 700 mm long and 3/8" nut
- Requires balanced high pressure supply only, minimum 1.0 bar
- Fit metal stabilising bracket if required, item number 513383

Details



Swivel range



Side view