

## Product information sheet DIVON II 5 S-IF

Item no. 521660

### Benefits

---



- An eye-catching, modern look with sleek lines
- The epitome of stainless steel kitchen sophistication with a subtle gloss
- A spacious sink a substantial flat drainer for multitasking with ease
- Tight corners for maximum utilisation of the surface and bottom of the sink
- Stainless steel basket strainer with convenient drain remote control to open the strainer
- Elegant InFino strainer for swift water drainage and less splashes

## Planning information

---

- Cut out size: Template provided, Please state hand of bowl

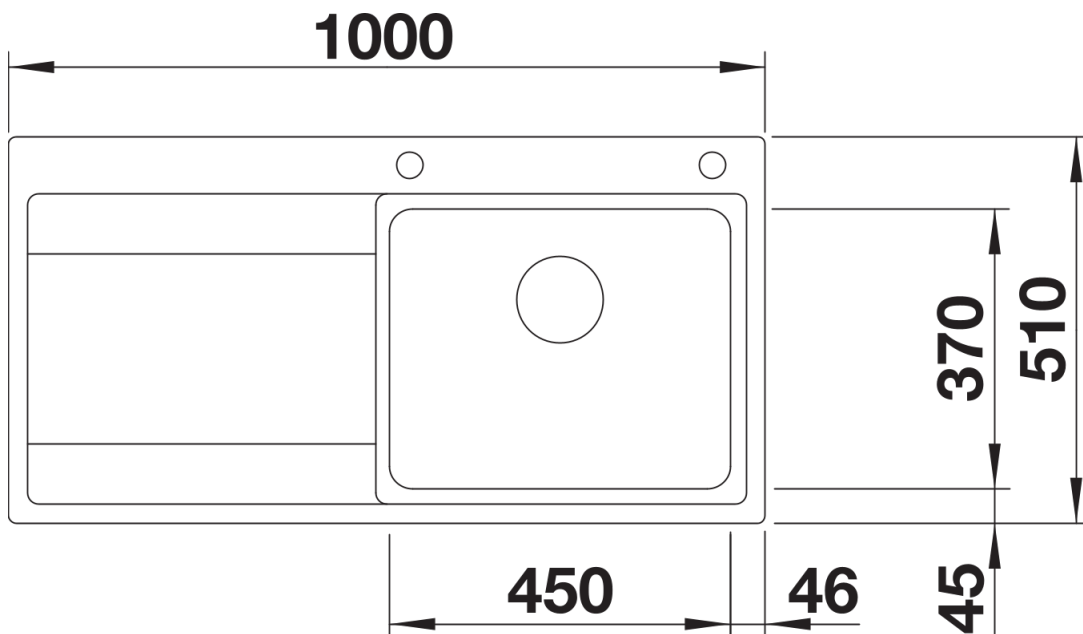
## Scope of supply

---

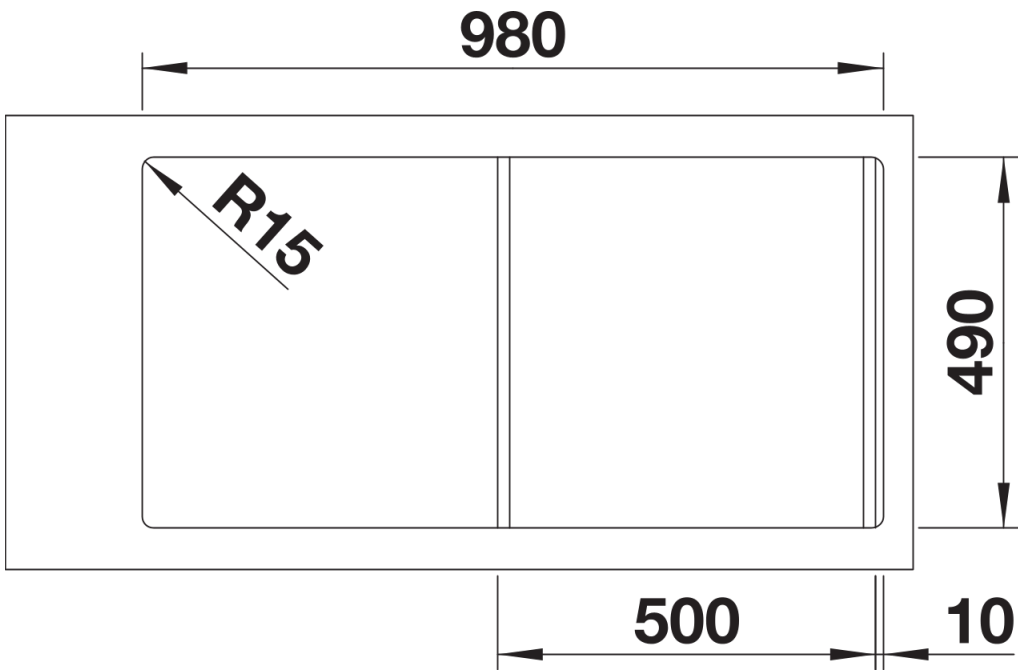
- Waste kit with space-saving pipe
- 3 ½" InFino basket strainer with drain remote control rotary switch

## Details

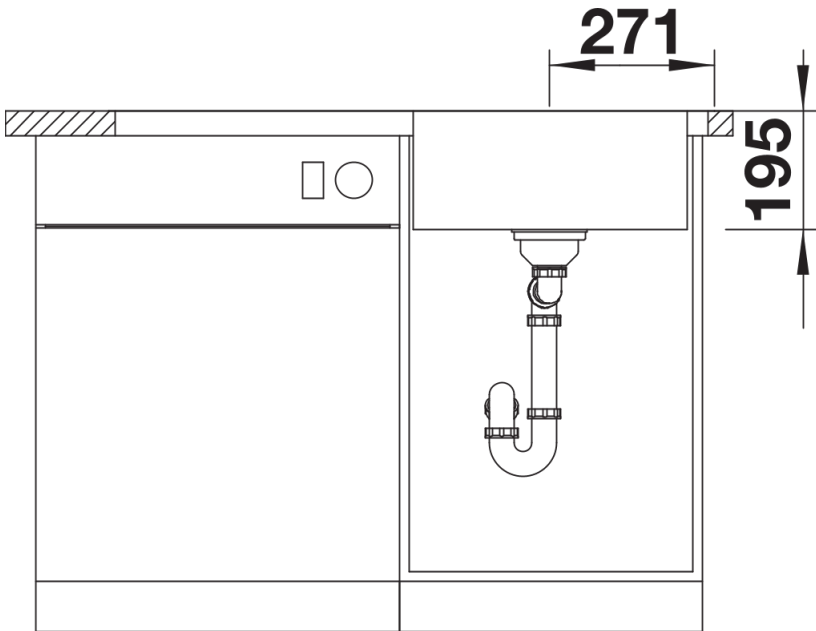
---



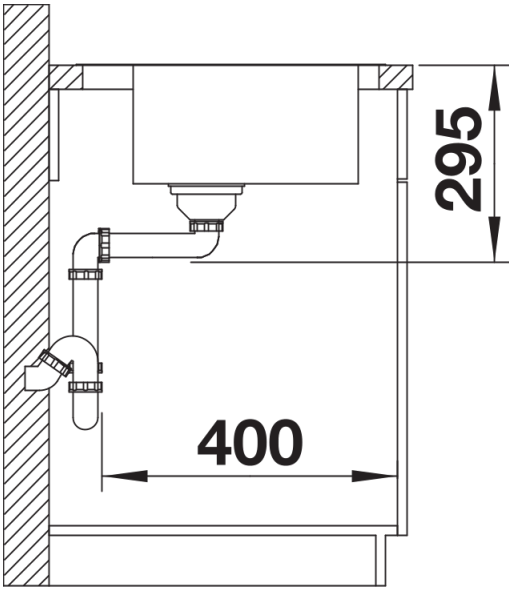
Top view



Cut-out



Front view



Side view