

Product information sheet ETAGON 500-IF/A

Item no. 521748

Benefits



- Generous staggered bowl with the functionality of a sink centre
- Integrated step creates an additional functions level
- Innovative system concept with versatile ETAGON rails
- High-quality features with the covered C-overflow and InFino drain system – elegantly integrated and extremely hygienic
- Available in three different installation versions: for under mount installation, IF flat rim for installation from above, IF/A-version with integrated tap ledge

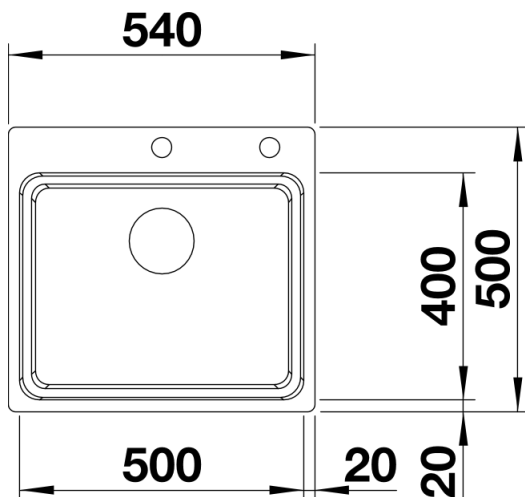
Planning information

- No additional drill holes possible. If using a detergent dispenser, the remote control pop-up must be replaced by the detergent dispenser, and the InFino™ drain system with remote control pop-up by the InFino™ manual drain system without remote control pop-up.
- Please contact us – we'll be pleased to help you further.
- You will receive the item number of the InFino™ manual drain system without remote control pop-up on request.

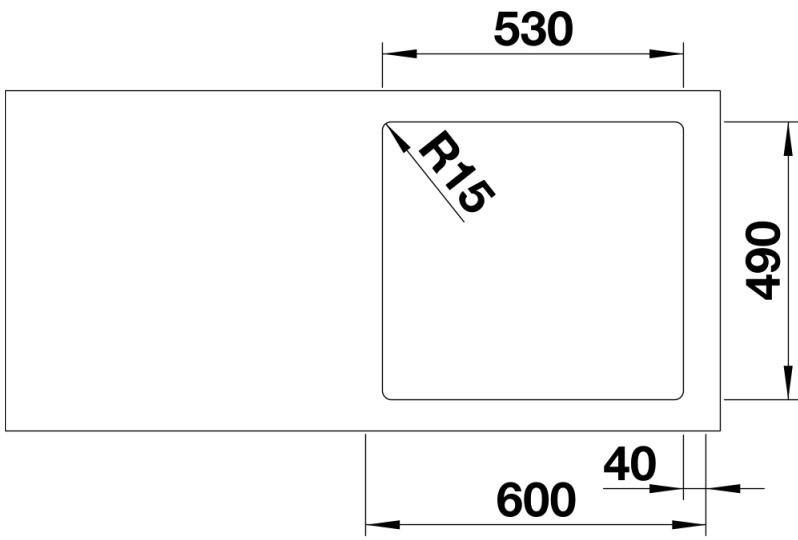
Scope of supply

- Two ETAGON rails in stainless steel, Waste fitting with space-saving pipe, 3 1/2" InFino basket strainer

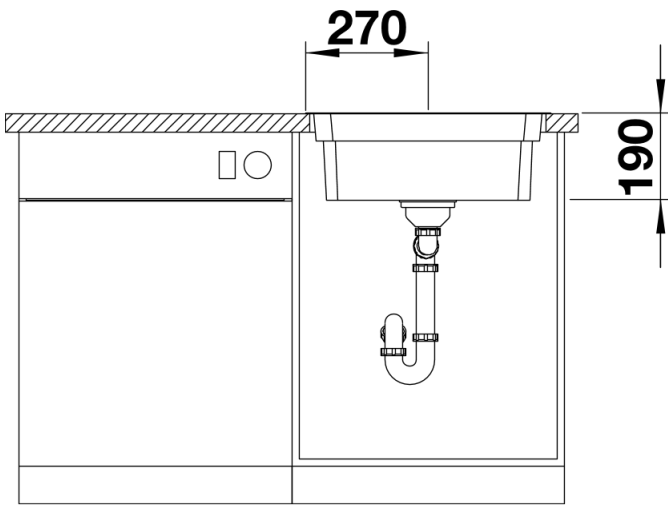
Details



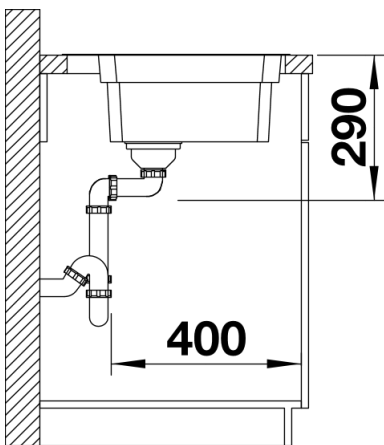
Top view



Cut-out



Front view



Side view