

Product information sheet ETAGON 500-U

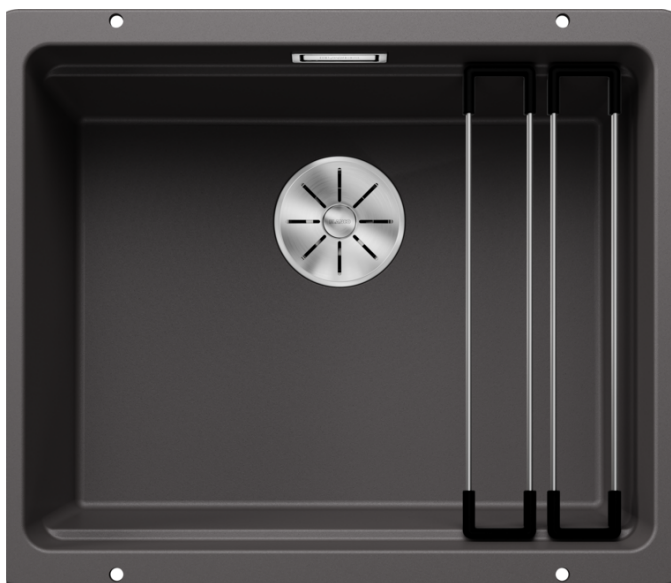
Item no. 522228

Benefits



- Multifunctional bowl design for smooth multitasking
- Gain separate working levels with the clever ETAGON rails
- Fill cookware without having to hold or rest pans in a wet sink
- Soak baking trays while still using the top half of the bowl
- Rails are easily removed for utilisation around the sink
- Elegant InFino strainer for swift water drainage
- Pair with a BLANCO UNIT drinks system to effortlessly fill pots and glasses using the ETAGON rails

Colours



Available colours:

black
anthracite
rock grey
volcano grey
white
soft white
tartufo
coffee

SILGRANIT rock grey

Planning information

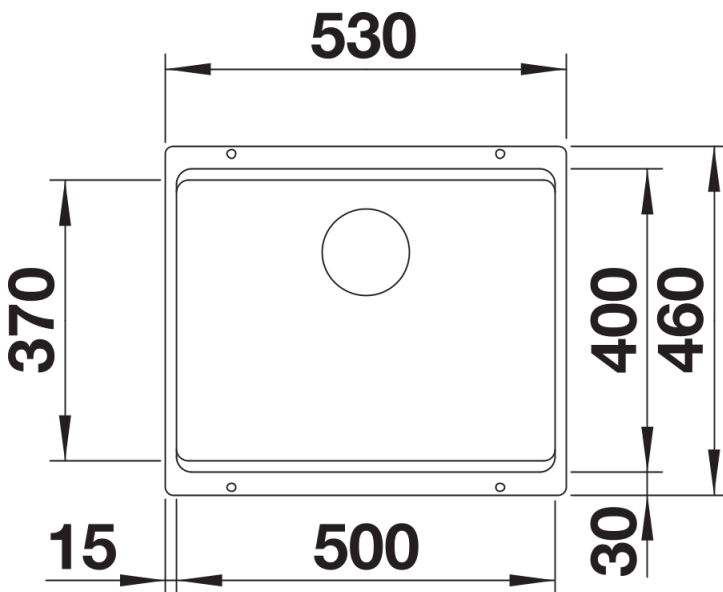
- Cut out size: 500 x 400 x R20, Universal handing

Scope of supply

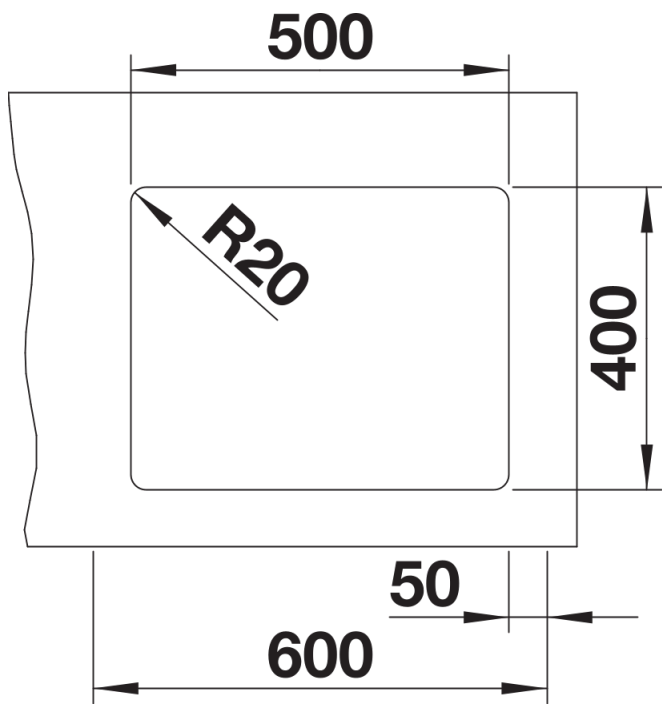
- With ETAGON rails in stainless steel
- waste fitting with space-saving pipe
- 3 ½" InFino basket strainer

234164 - 2 x ETAGON rails

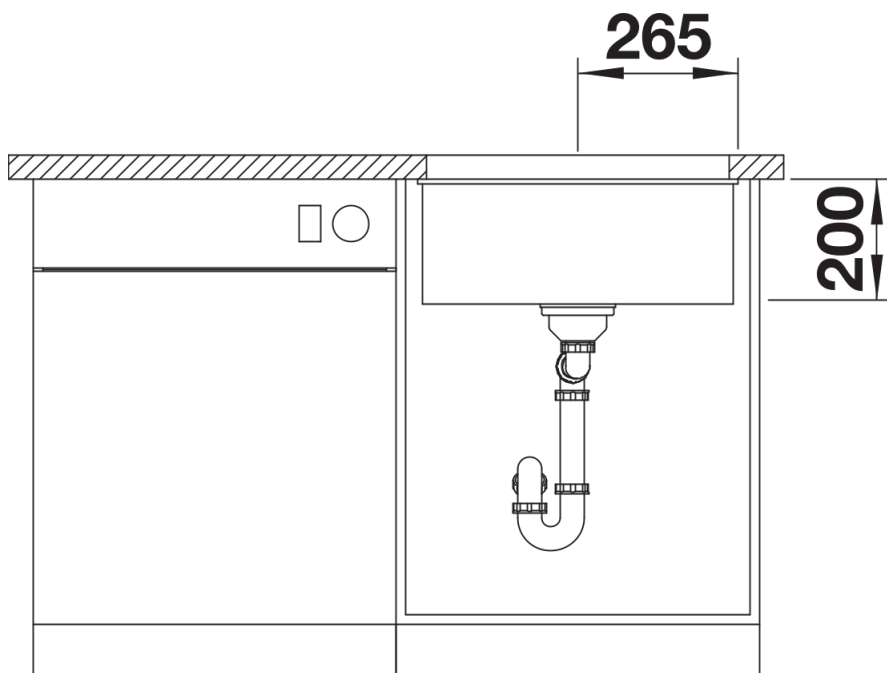
Details



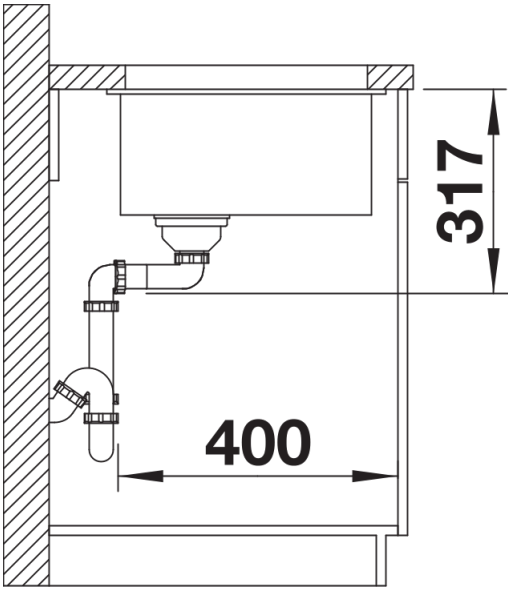
Top view



Cut-out



Front view



Side view