

Product information sheet LANTOS 5 S-IF

Item no. 517281

Benefits

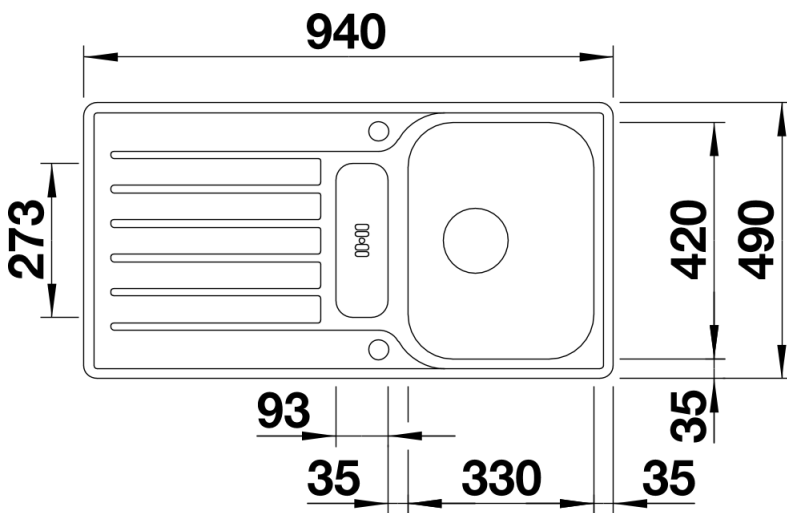


- Additional draining bowl With stainless steel insert
- Spacious drainer
- With 3 1/2" stainless steel basket strainer
- Flat rim IF version

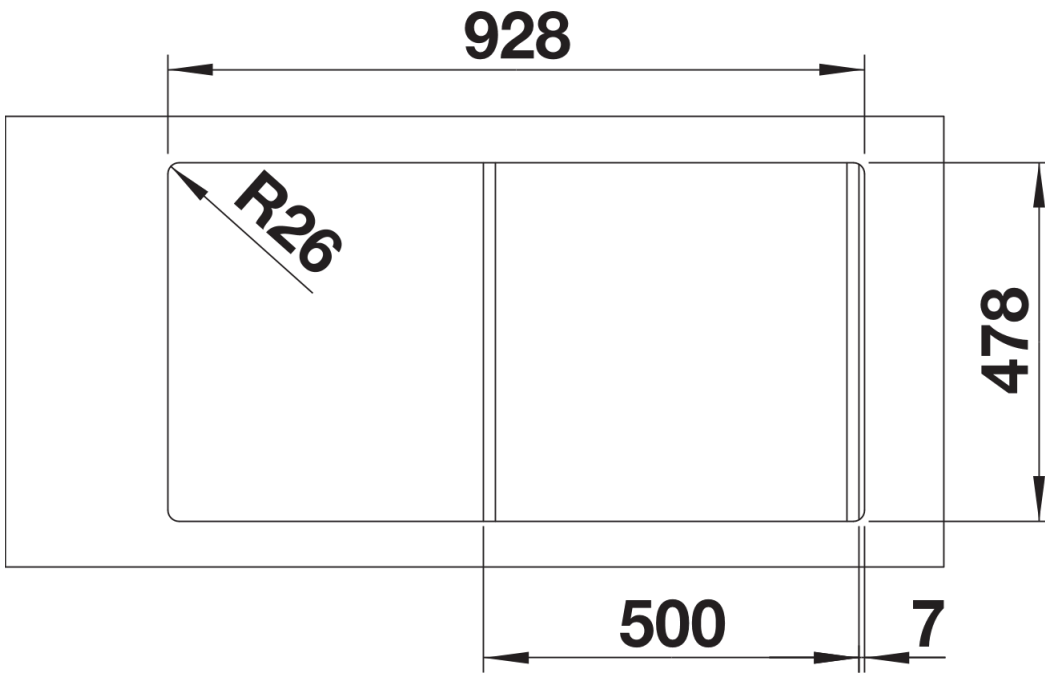
Scope of supply

- With 3 1/2" basket strainer waste

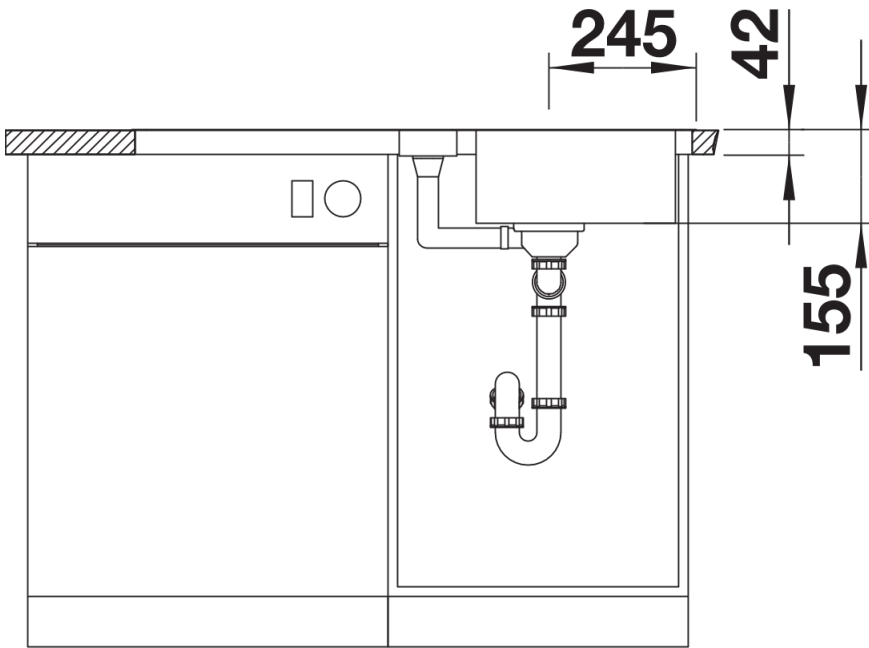
Details



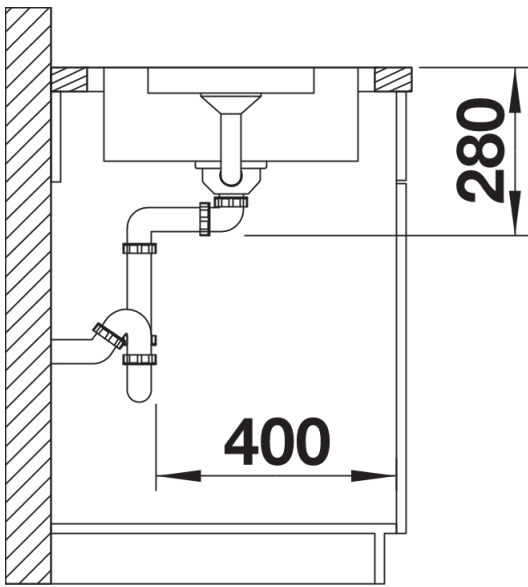
Top view



Cut-out



Front view



Side view