

## Product information sheet LANTOS 45 S

Item no. 450818

### Benefits

---



- Drainer with additional overflow
- Available with or without pop-up waste
- Available in brushed finish or linen finish

## Planning information

---

- Cut out size: 842 x 482 x R33
- Universal handing

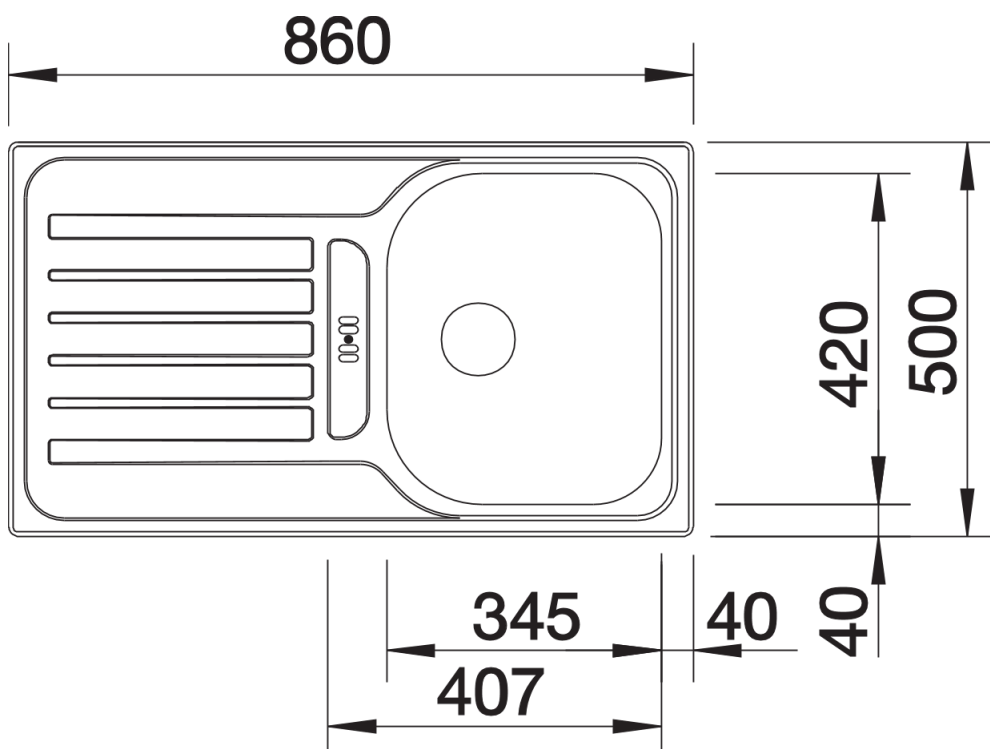
## Scope of supply

---

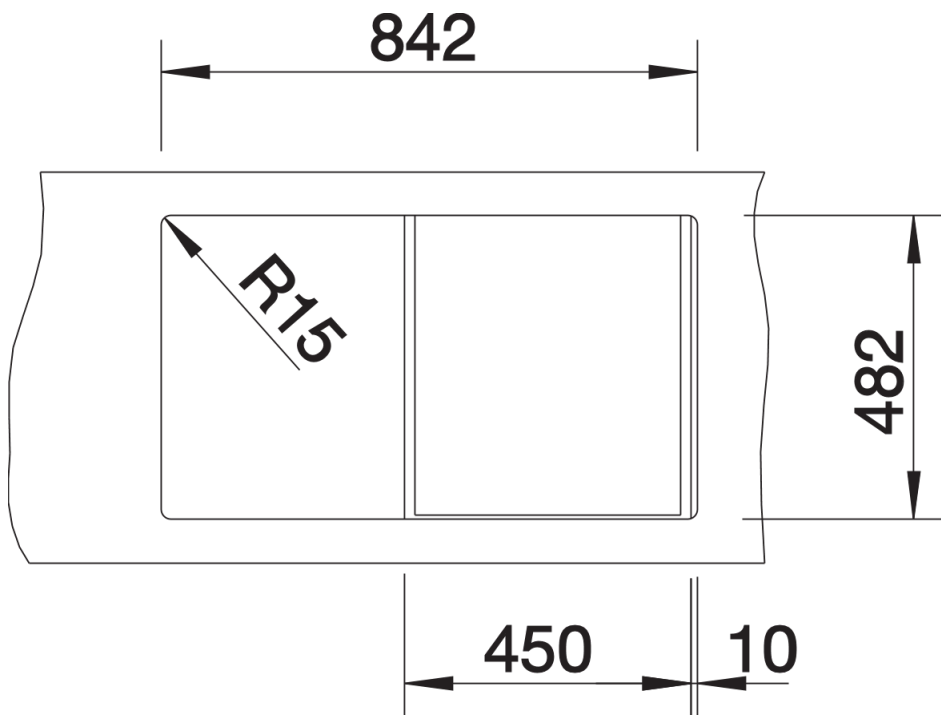
- With 3 1/2" basket strainer waste

## Details

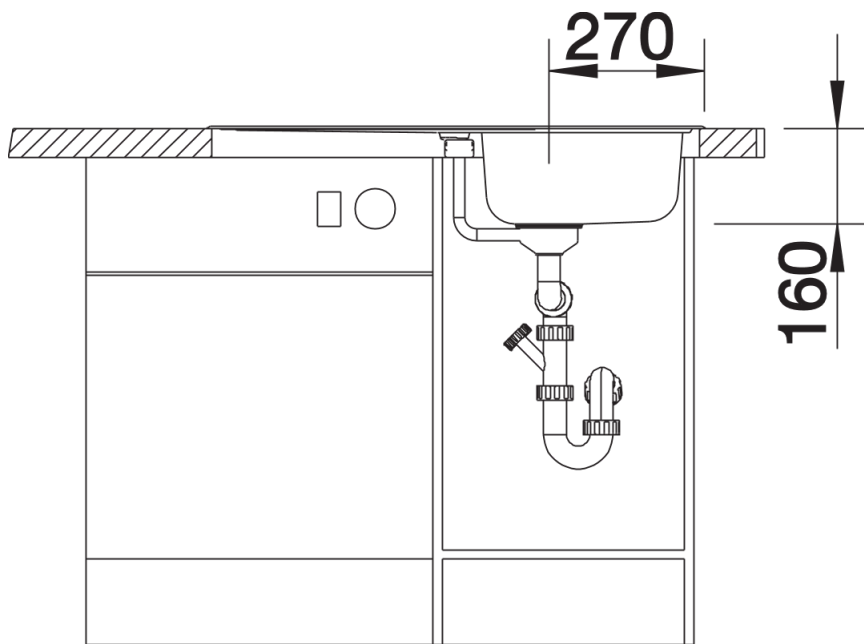
---



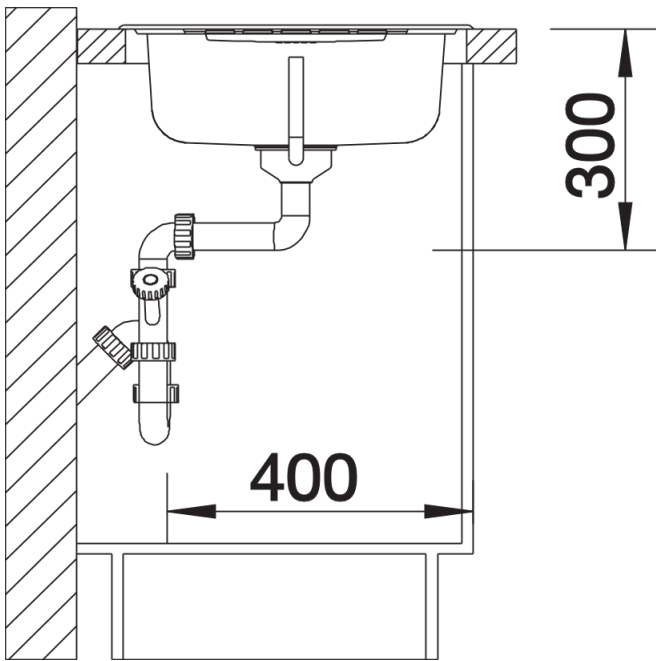
Top view



Cut-out



Front view



Side view