

Product information sheet LANTOS 45 S-IF Salto

Item no. 453631

Benefits



- Drainer with additional overflow
- IF flat rim version for an elegant and modern rim design
- Can be installed reversibly

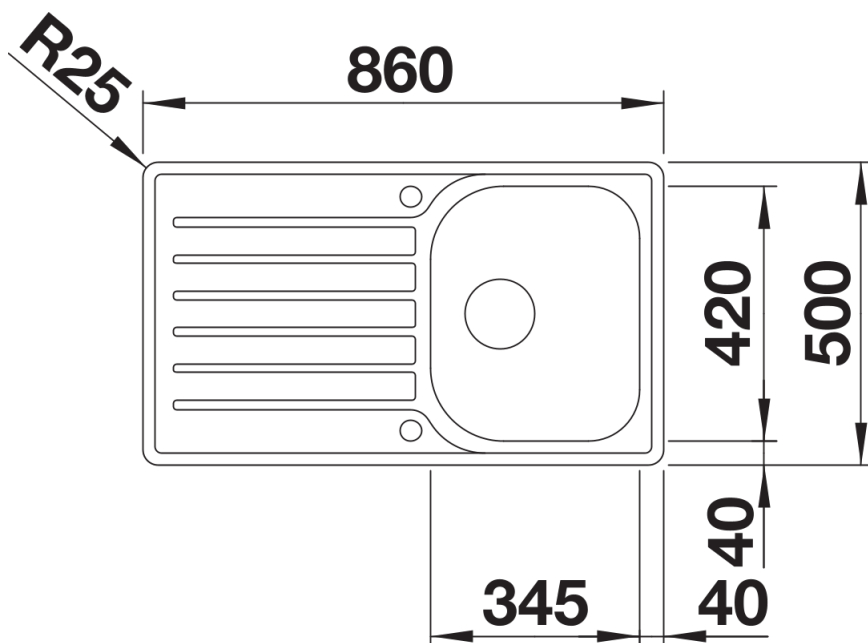
Planning information

- Cut out size: 836 x 476 x R15
- Universal handing

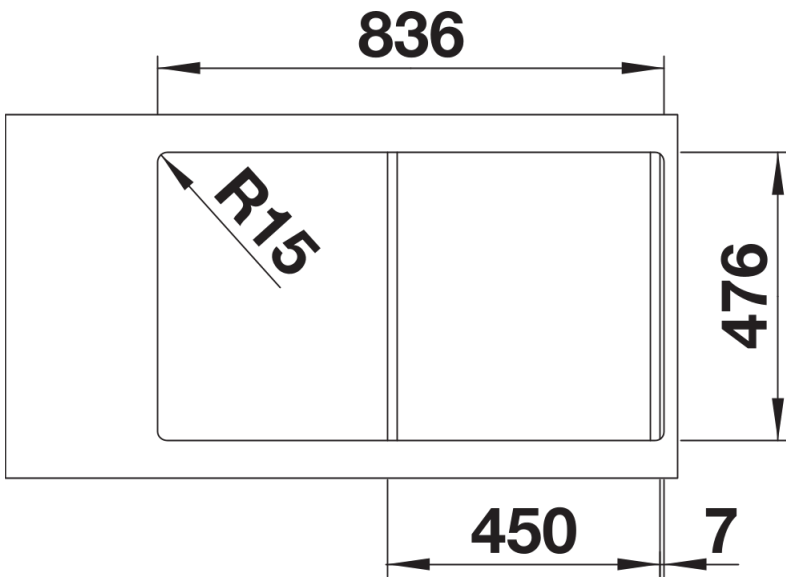
Scope of supply

- Waste fitting
- 3 ½" basket strainer

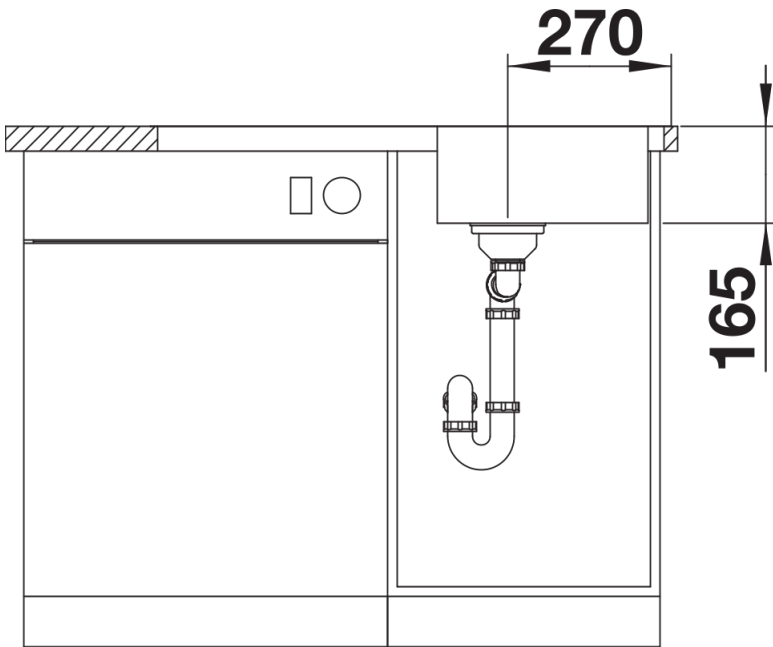
Details



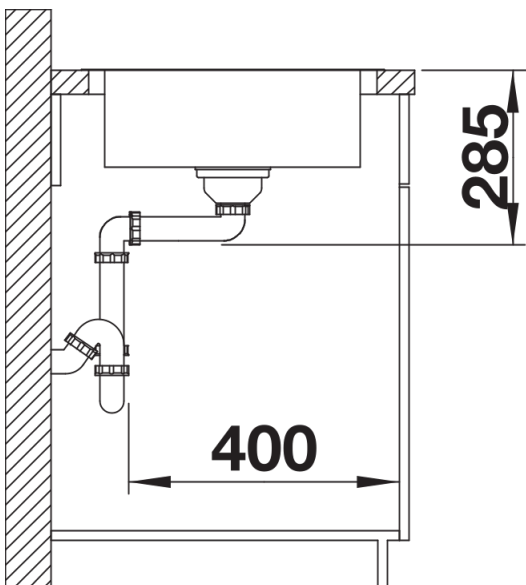
Top view



Cut-out



Front view



Side view