

Product information sheet LANTOS 9 E-IF

Item no. 450886

Benefits



- Wide sink family range with clear shapes
- Compact drainer
- Suitable for corner and line designs

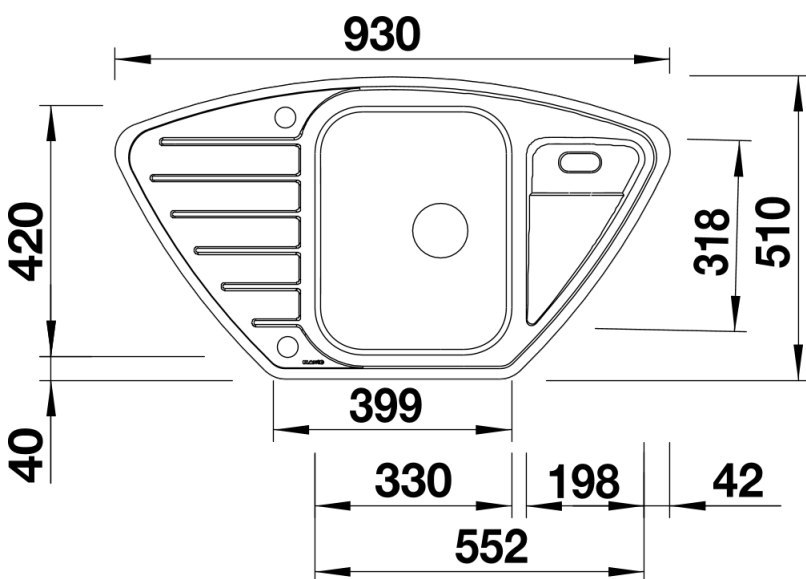
Planning information

- Cut out size: Template provided
- Right hand bowl only

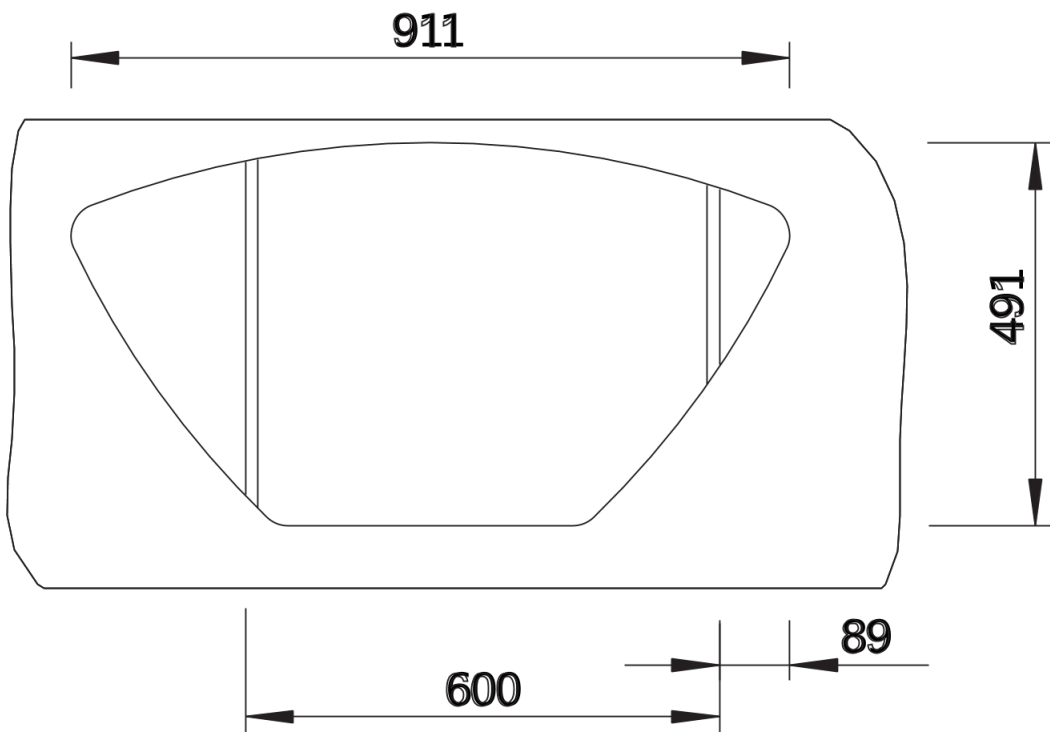
Scope of supply

- Waste fitting with space-saving pipe, two 3 1/2" basket strainers, pop-up waste for the main bowl

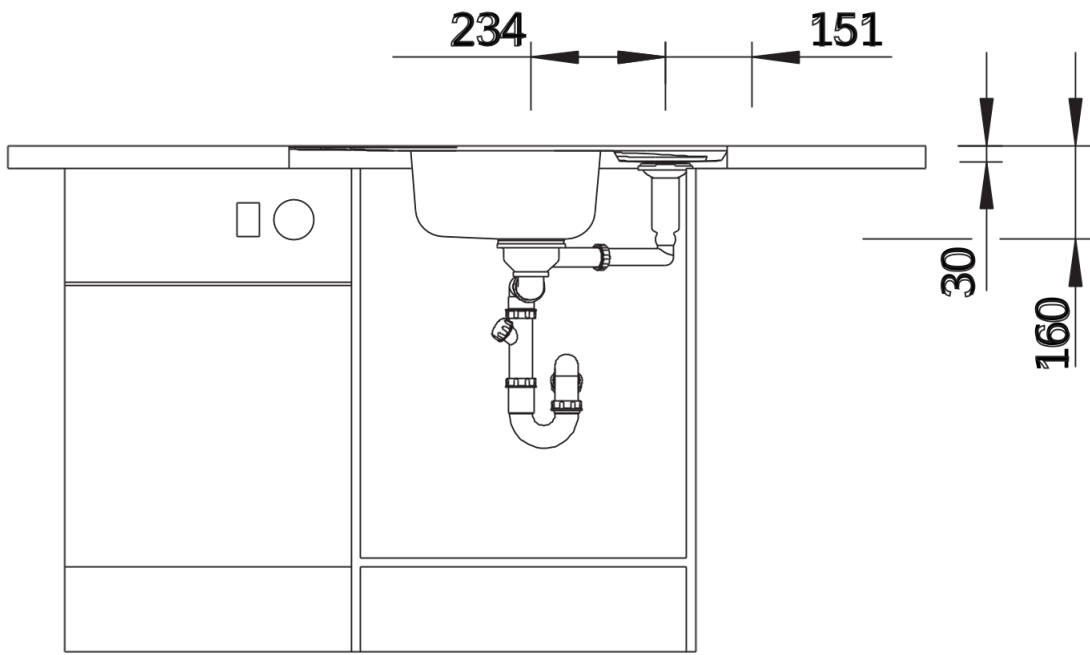
Details



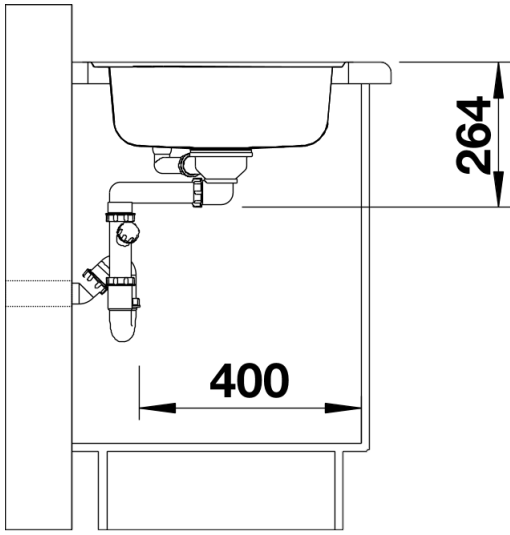
Top view



Cut-out



Front view



Side view