

## Product information sheet LINEE-S

Item no. 517591

### Benefits

---



- Exclusive design
- Extendable pull-out spray head
- Top lever for easy access
- Ceramic disc control
- High spout for easy filling of large pans and vases

### Colours

---



Available colours:

chrome

galvanic chrome

## Planning information

---

- Please note:
- High pressure supply only - requires minimum of 1.0 bar pressure (approx 10 metre head)
- $\frac{3}{8}$ " BSP connectors required (not supplied)
- Heavy duty metal tap stabilising bracket, fit when required. Item No. 450775
- Height: 281
- Reach: 225
- Base: 46
- Tap hole:  $\varnothing$ 35

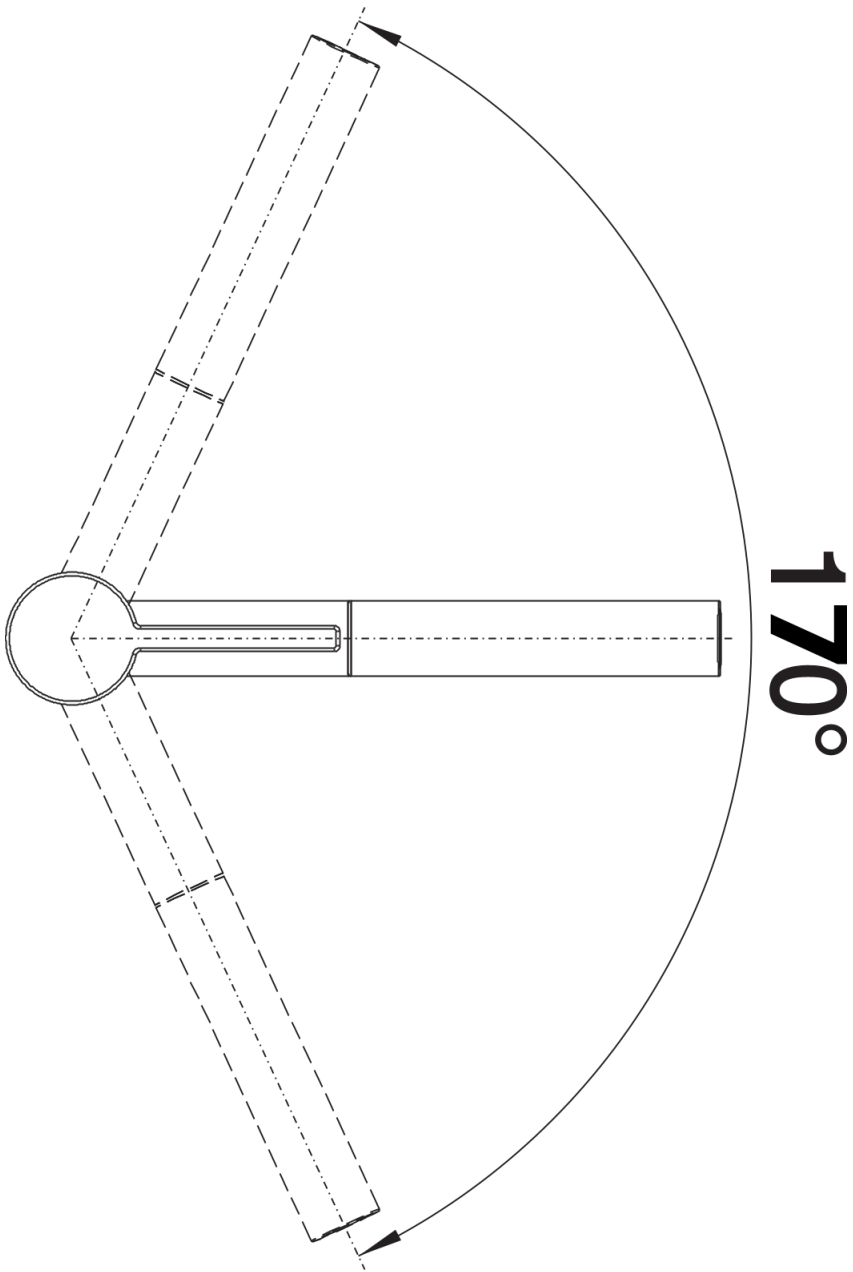
## Scope of supply

---

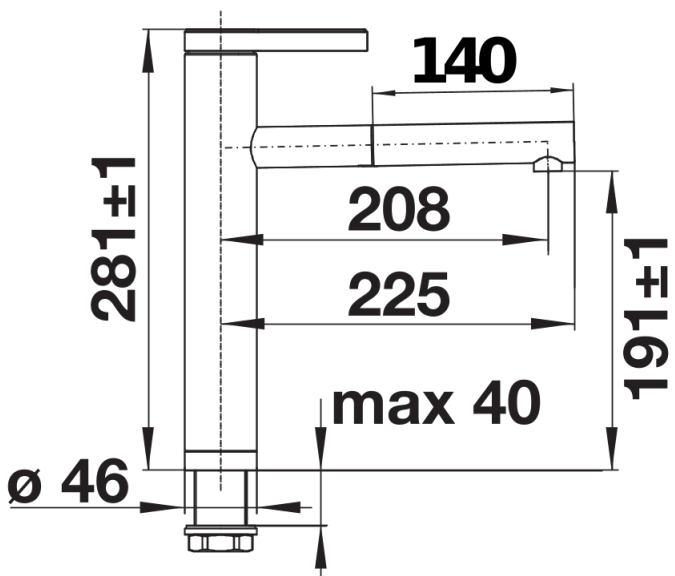
- Single lever monobloc mixer tap with pull-out metal tap head on a flexi-hose
- Ceramic disc control
- Metal-sheathed spray hose
- Flexible connection pipes with a length of 450 mm and  $\frac{3}{8}$ " nut
- Patented jet regulator for markedly reduced scaling
- Requires balanced high pressure supply only, min 1.0 bar
- Fit metal stabilising bracket if required, item No. 450775

## Details

---



Swivel range



Side view