

Product information sheet LIVIA-S

Item no. 521288

Benefits



- Modern design with optically contrasting decor elements
- System solution with matching remote control and mixer tap
- Available in various surface finishes
- High J-shaped spout with extendable shower
- Particularly recommended for under mount bowls and high-quality worktops

Colours



Available colours:

chrome

brushed brass

manganese

galvanic chrome

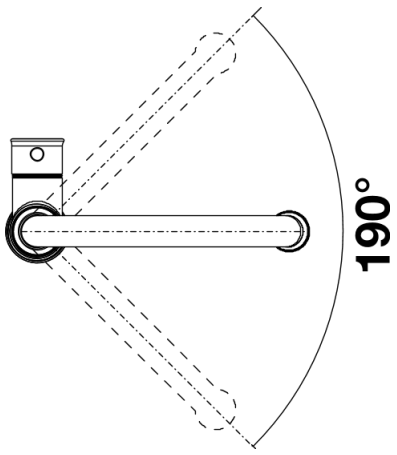
Planning information

- Please note:
- Requires a balanced high pressure supply only, min 2.0 bar, preferred 2.0 - 2.5 bar
- 3/8" BSP connectors required (not supplied)
- Height: 360
- Reach: 208
- Base: 52
- Tap hole: ø35

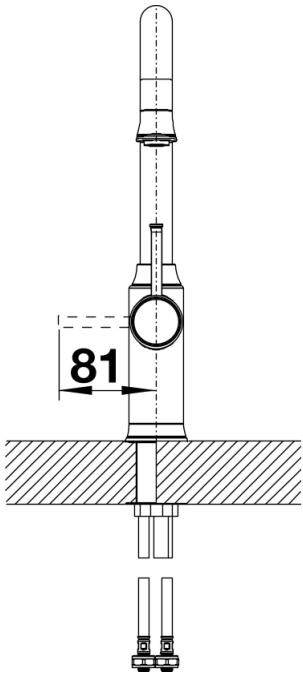
Scope of supply

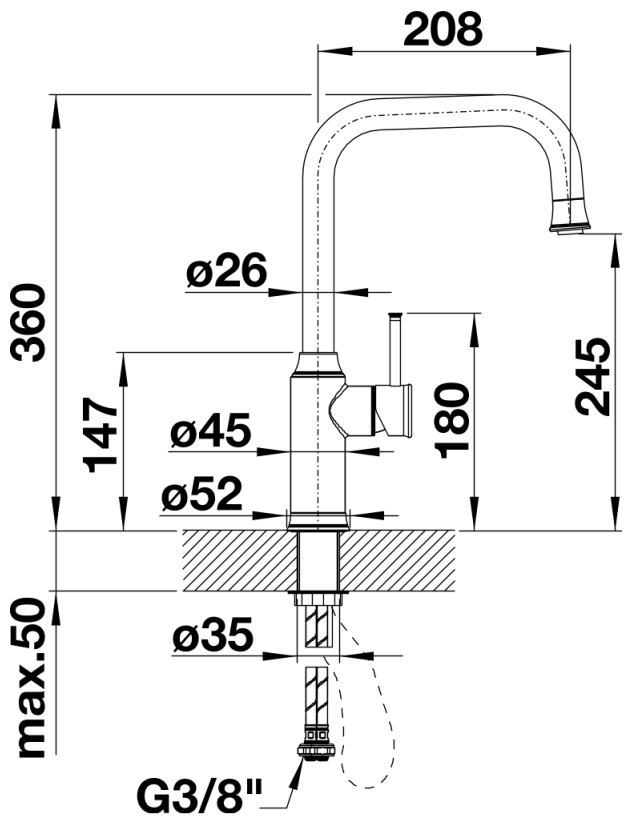
- Spout can be swivelled by 190°
- Ø 35 mm tap hole required
- With ceramic disk cartridge
- Textile covered spray hose
- Flexible connector pipes, 450 mm long and 3/8" nut for particularly easy installation
- Patented jet regulator for markedly reduced scaling
- Stabilisation plate to increase the stability of the tap when fitted in stainless steel sinks
- With non-return valve and thus guaranteed against reflux in accordance with EN 1717
- Applied for LGA certificate
- Applied for DVGW certificate

Details



Swivel range





Side view