

Product information sheet LINEE-S

Item no. 518439

Benefits



- Extendable spray in high-quality metal finish
- Colour version in perfect coordination with coloured SILGRANIT® sinks and bowls

Colours



- Available colours:
- alumetallic/chrome
 - white/chrome
 - jasmin/chrome
 - coffee/chrome
 - anthracite/chrome
 - tartufo/chrome
 - rock grey/chrome
 - pearl grey/chrome

SILGRANIT® Look dual finish alumetallic/chrome

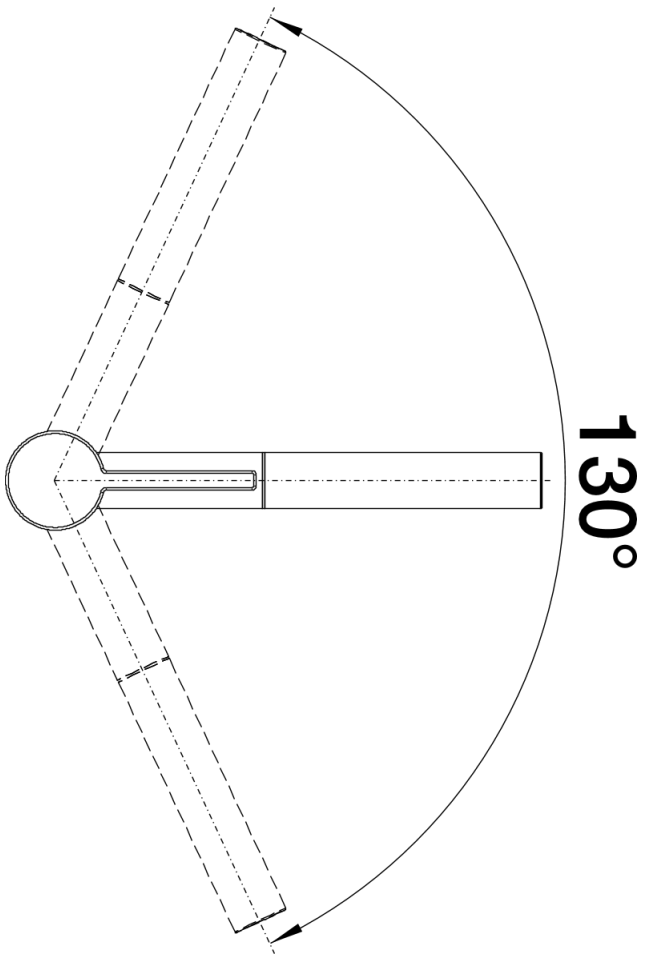
Planning information

- Please note:
- High pressure supply only - requires minimum of 1.0 bar pressure (approx 10 metre head), preferred 1.0-1.5 bar
- 3/8" BSP connectors required (not supplied)
- Heavy duty metal tap stabilising bracket, fit when required. Item No. BL450775
- Height: 281
- Reach: 225
- Base: 46
- Tap hole: ø35

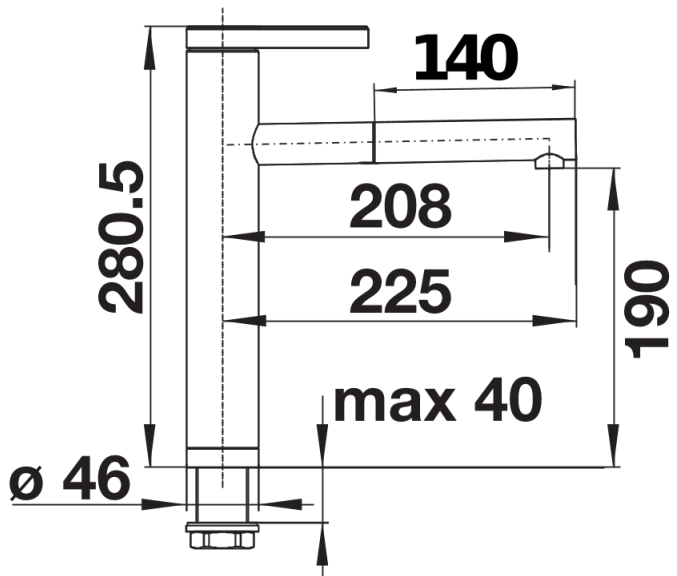
Scope of supply

- Spout can be swivelled by 130°
- Ø 35 mm tap hole required
- With ceramic disk cartridge
- Metal-sheathed spray hose
- Flexible connection pipes with a length of 450 mm and 3/8" nut for particularly easy and secure installation
- Patented jet regulator for markedly reduced scaling
- Stabilisation plate to increase the stability of the tap when fitted in stainless steel sinks
- With non-return valve and thus guaranteed against reflux in accordance with EN 1717
- LGA approved
- DVGW approved

Details



Swivel range



Side view