

Product information sheet LINEE-S

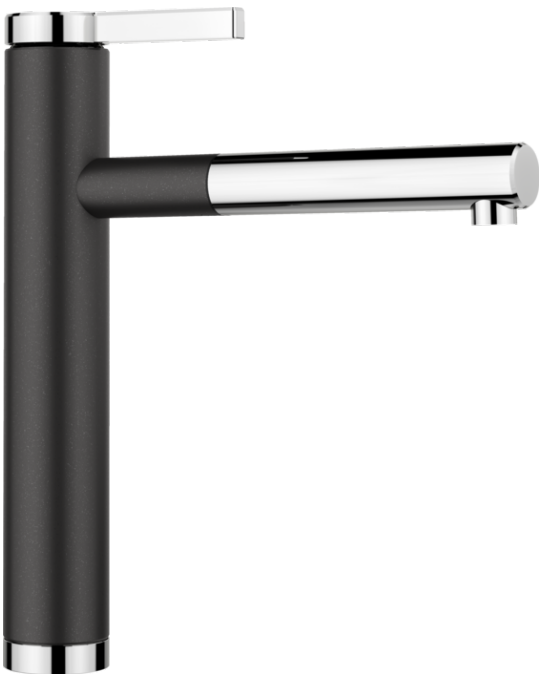
Item no. 518438

Benefits



- Elegant design
- Extendable pull-out spray head
- Top lever for easy access
- High spout for easy filling
- Silgranit-look colour version matching the Silgranit sinks and bowls

Colours



Available colours:

- black/chrome
- anthracite/chrome
- rock grey/chrome
- volcano grey/chrome
- white/chrome
- soft white/chrome
- tartufo/chrome
- coffee/chrome

SILGRANIT Look dual finish anthracite/chrome

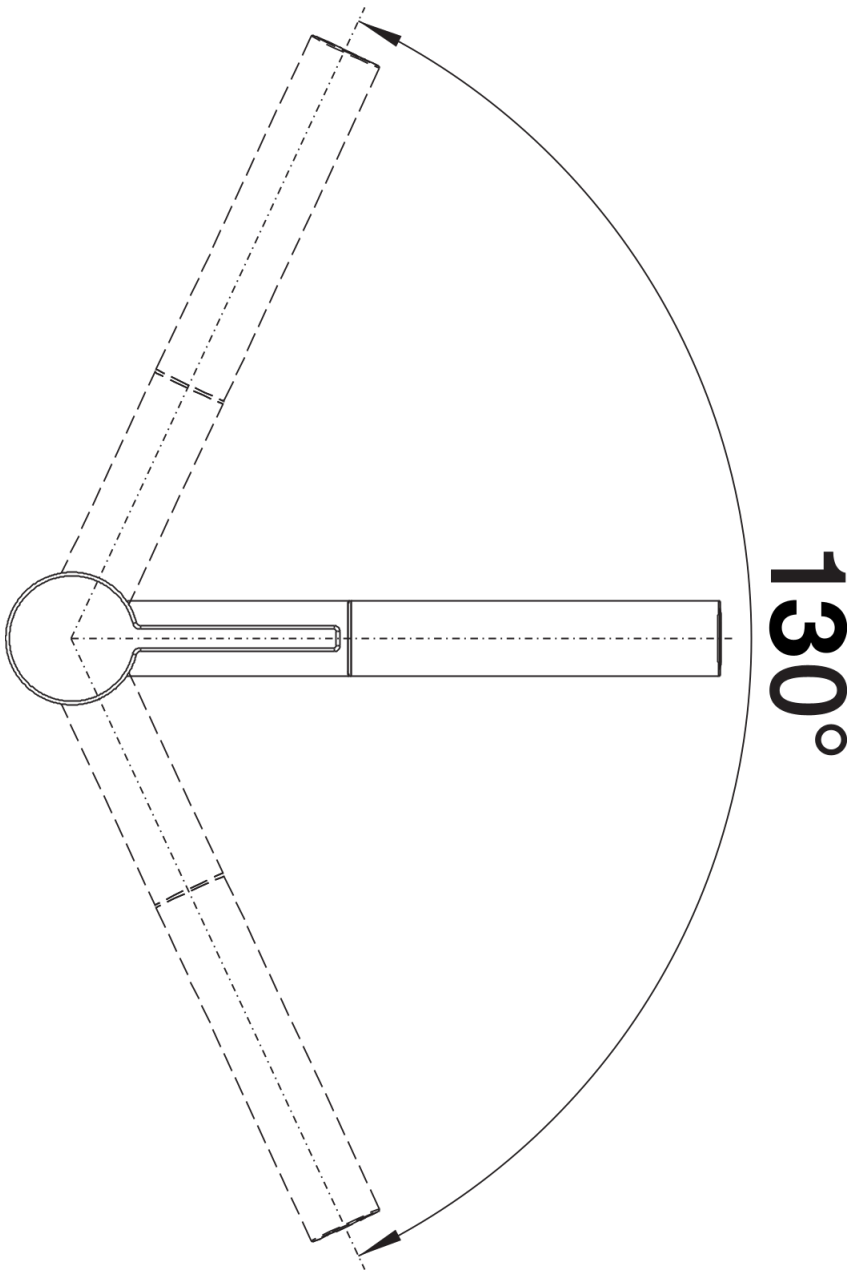
Planning information

- Please note:
- High pressure supply only - requires minimum of 1.0 bar pressure (approx 10 metre head), preferred 1.0-1.5 bar
- $\frac{3}{8}$ " BSP connectors required (not supplied)
- Heavy duty metal tap stabilising bracket, fit when required. Item No. 450775
- Height: 281
- Reach: 225
- Base: 46
- Tap hole: \varnothing 35

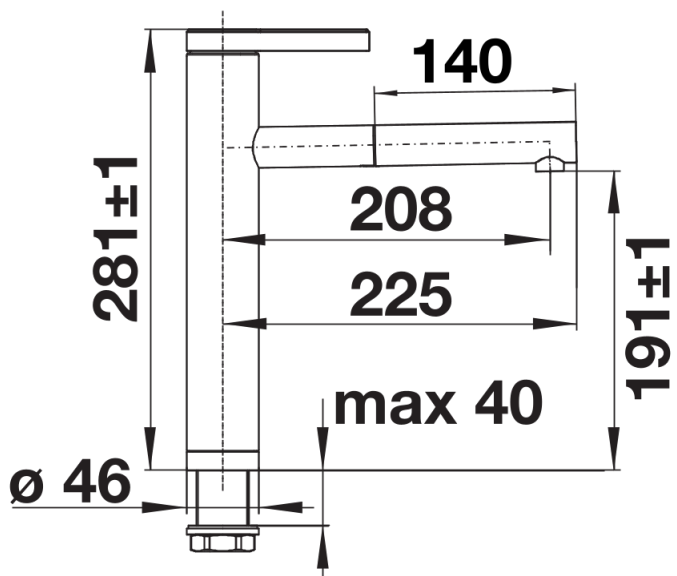
Scope of supply

- Top lever operation
- \varnothing 35 mm tap hole required
- Ceramic disc cartridge
- $\frac{3}{8}$ " flexible connection pipes with a length of 450 mm for particularly secure installation
- Requires balanced high pressure supply only, minimum 1.0 bar
- Fit metal stabilising bracket if required, item No. 513383

Details



Swivel range



Side view