

Product information sheet PLEON 6 Split

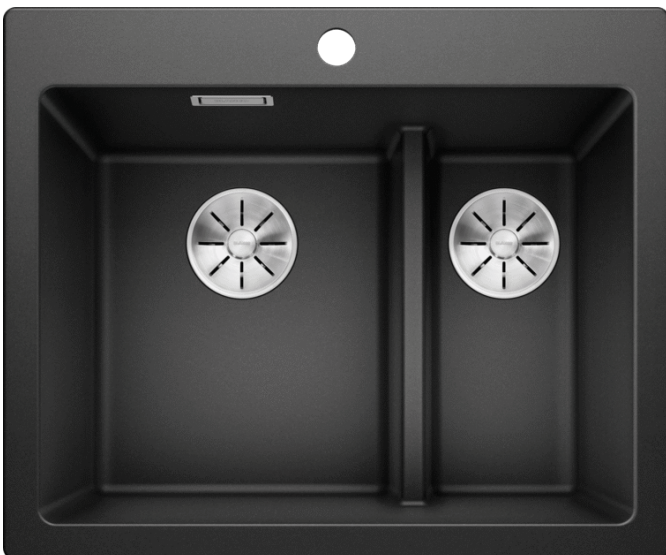
Item no. 521689

Benefits



- Timeless elegant, straight-lined design
- Split concept: lowered bowl divider with three working areas
- Continuous, generous tap ledge
- Easy to clean, flowing transition from the sink's rim to the tap ledge
- Elegant and hygienic: the concealed overflow C-overflow®
- InFino™ drain system – gracefully integrated and easy-care

Colours



Available colours:

anthracite
rock grey
coffee
alu metallic
pearl grey
white
jasmine
tartufo
black

SILGRANIT® PuraDur® anthracite

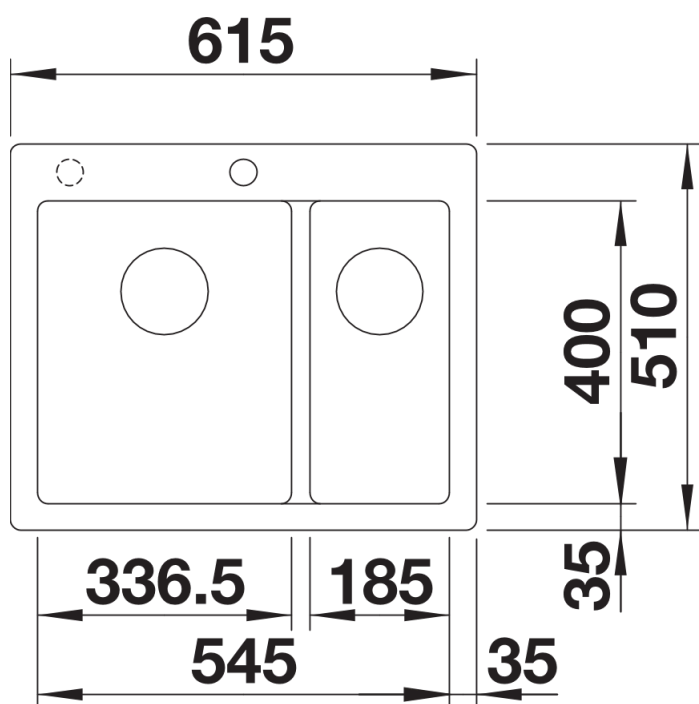
Planning information

- Cut out size: 595 x 490 x R15
- German warehouse stock.
- Allow 10 working days.

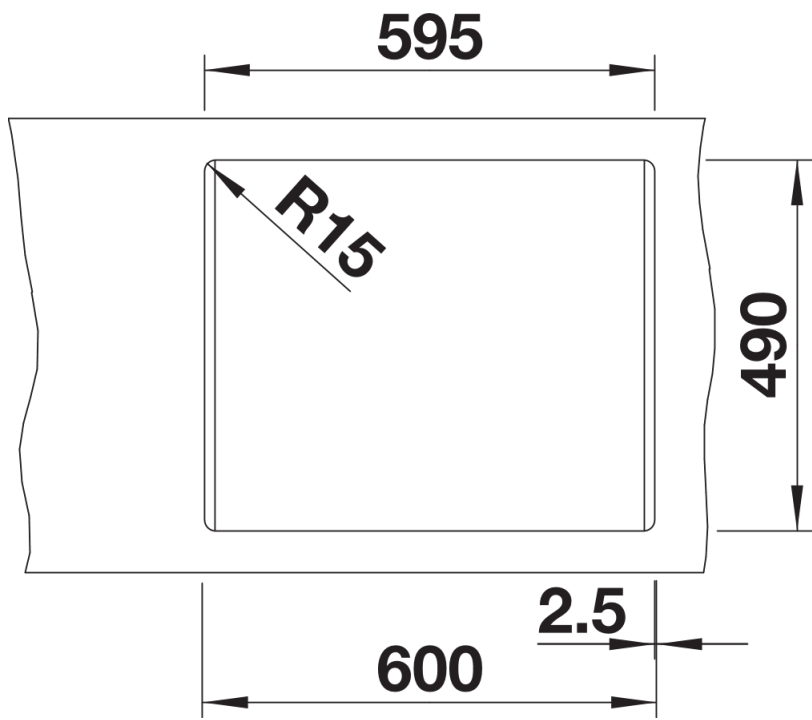
Scope of supply

- Waste fitting with space-saving pipe, two 3 ½" InFino™ basket strainers

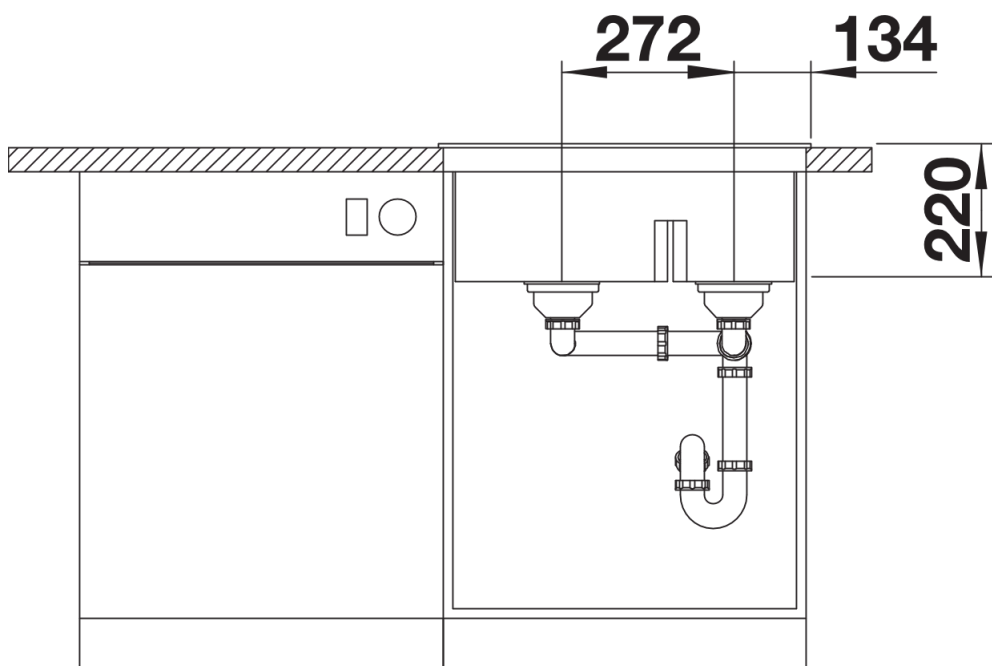
Details



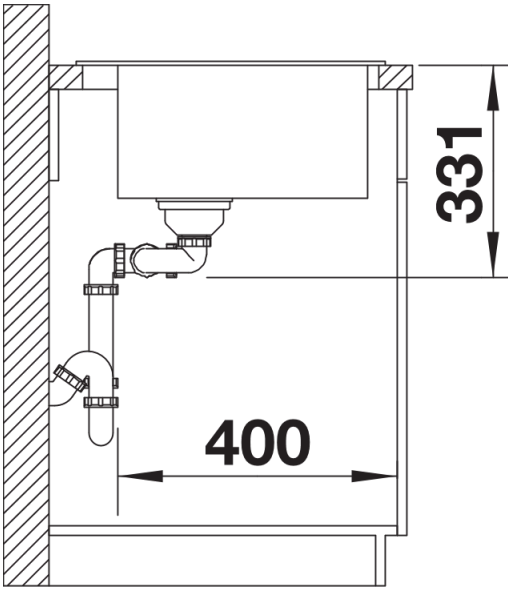
Top view



Cut-out



Front view



Side view