

## Product information sheet SELECT 60/2

Item no. 518723

### Benefits

---



- Modern, harmonious and functional design
- Integrated construction prevents dirt
- All parts are easy to clean
- High quality system cover that can simply be pulled out
- Unbeatably quick and easy to install
- Optional: BLANCO MOVEX foot control for BLANCO SELECT and any pull-out cabinet doors
- Functionally designed bins and visually integrated handles

## Planning information

---

- Installation height 361 mm, installation depth 400 mm, required inside dimension of cabinet 450 mm.
- Door fronts must not have hinges or holes. Take position of handle into account.
- Can also be installed in cabinets with panelled doors with 40 mm frame.
- Consider the installation height of the waste system, installation depth of the sink and the resultant minimum measure of the cabinet right from the planning.

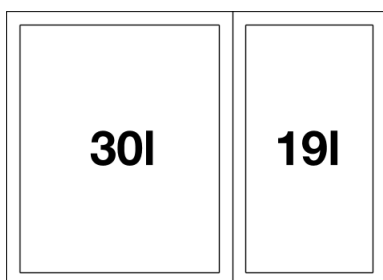
## Scope of supply

---

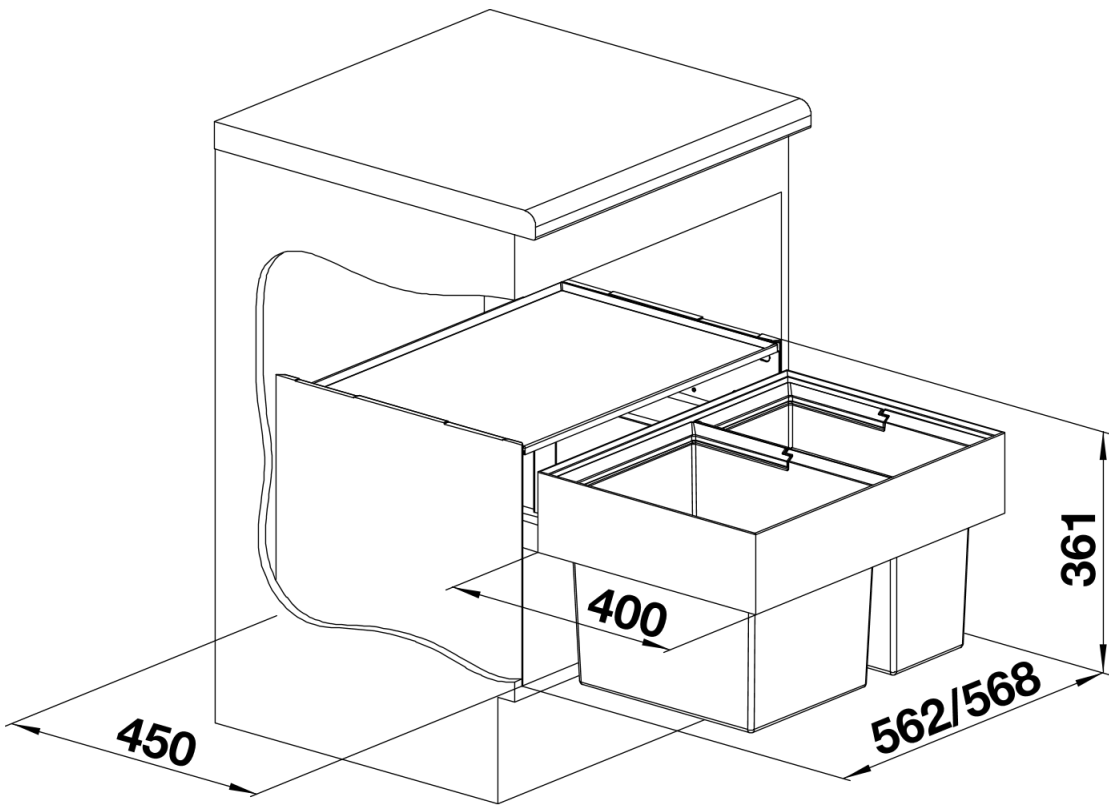
- 2 bins 49 litre capacity
- Painted steel frame with pull out unit
- Template provided

## Details

---



Top view



PRODUKT\_3D