

Product information sheet SELECT 50/2

Item no. 518722

Benefits



- Modern, harmonious and functional design
- Integrated construction prevents dirt
- All parts are easy to clean
- High quality system cover that can simply be pulled out
- Unbeatably quick and easy to install
- Optional: BLANCO MOVEX foot control for BLANCO SELECT and any pull-out cabinet doors
- Functionally designed bins and visually integrated handles

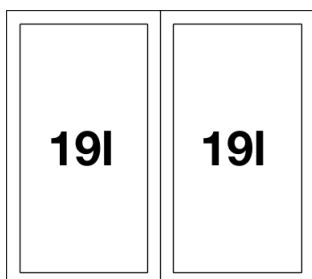
Planning information

- Installation height 361 mm, installation depth 400 mm, required inside dimension of cabinet 450 mm.
- Door fronts must not have hinges or holes. Take position of handle into account.
- Can also be installed in cabinets with panelled doors with 40 mm frame.
- Consider the installation height of the waste system, installation depth of the sink and the resultant minimum measure of the cabinet right from the planning.

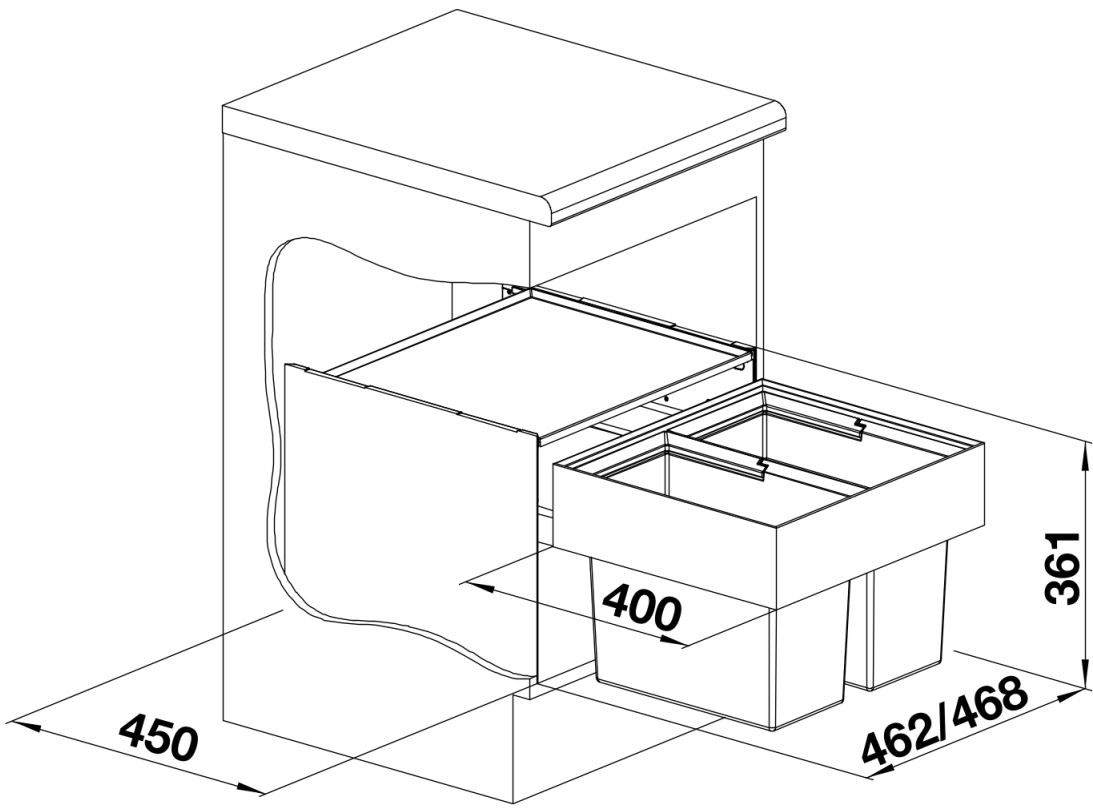
Scope of supply

- 2 bins 38 litre capacity- Painted steel frame & lid with pull out unit- Template provided

Details



Top view



PRODUKT_3D