

Product information sheet SONA 5 S

Item no. 519672

Benefits



- Prominent grooved tap ledge and drainer area with a curved sink design
- Sizeable main sink and spacious draining area provide lots of useable space
- Generous tap ledge to reduce water splashes on the worktop
- Rounded internal corners for easy cleaning
- Stainless steel basket strainer catches food debris helping prevent drain blockages
- Reversible installation

Colours



SILGRANIT rock grey

Available colours:

- black
- anthracite
- rock grey
- volcano grey
- white
- soft white
- tartufo
- coffee

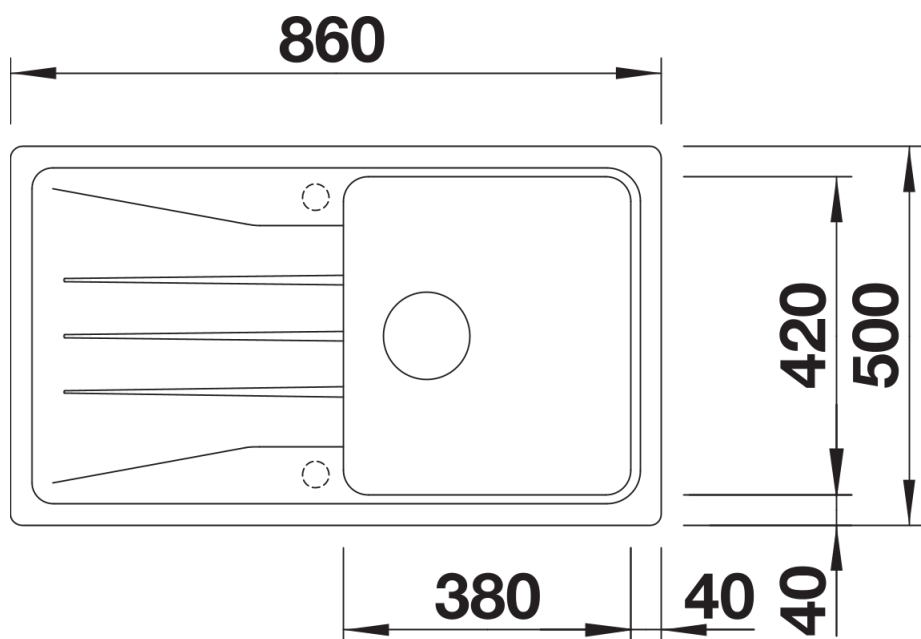
Planning information

- Cut out: 840 x 480 x R15
Universal handing

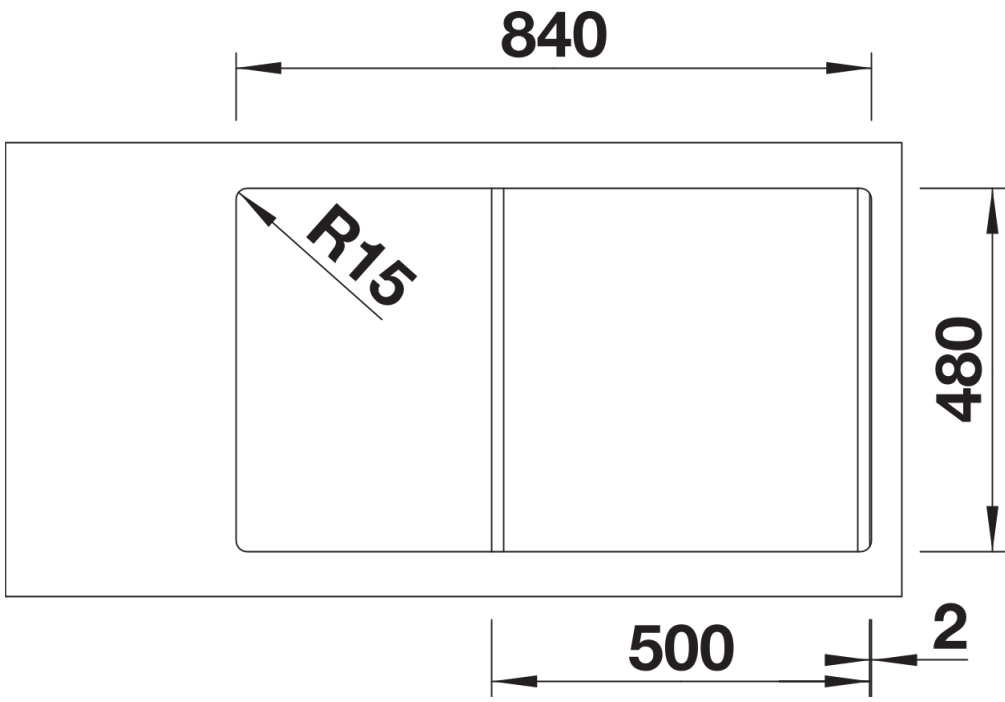
Scope of supply

- Waste fitting with space-saving pipe
- 3 ½" basket strainer

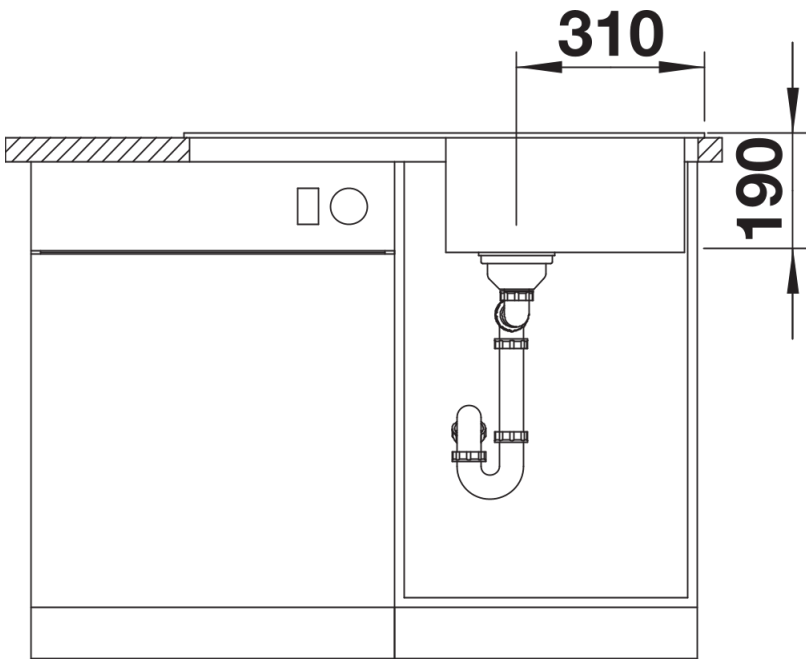
Details



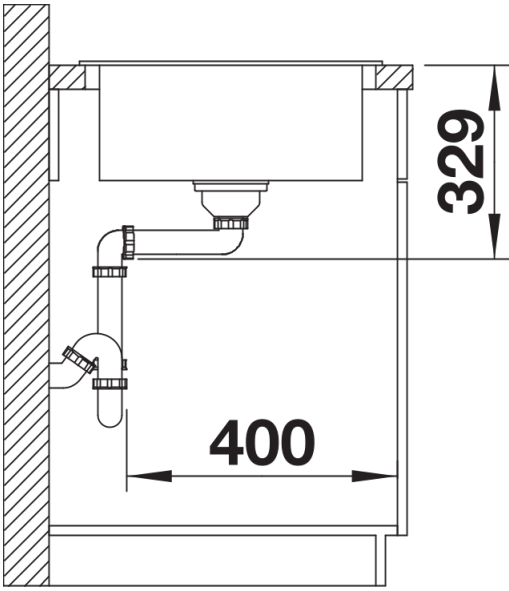
Top view



Cut-out



Front view



Side view