

Product information sheet SONA 5 S

Item no. 519678

Benefits



- Striking grooved tap ledge and drainer area with curved bowl design
- Large main bowl and spacious draining area provide a high degree of usability
- Generous tap ledge
- Stainless steel basket strainer keeps the drain free from food debris and blockages
- Reversible installation: position the bowl to the left or right of the drainer, depending on your kitchen layout

Colours



Available colours:

- black
- anthracite
- rock grey
- volcano grey
- white
- soft white
- tartufo
- coffee

SILGRANIT tartufo

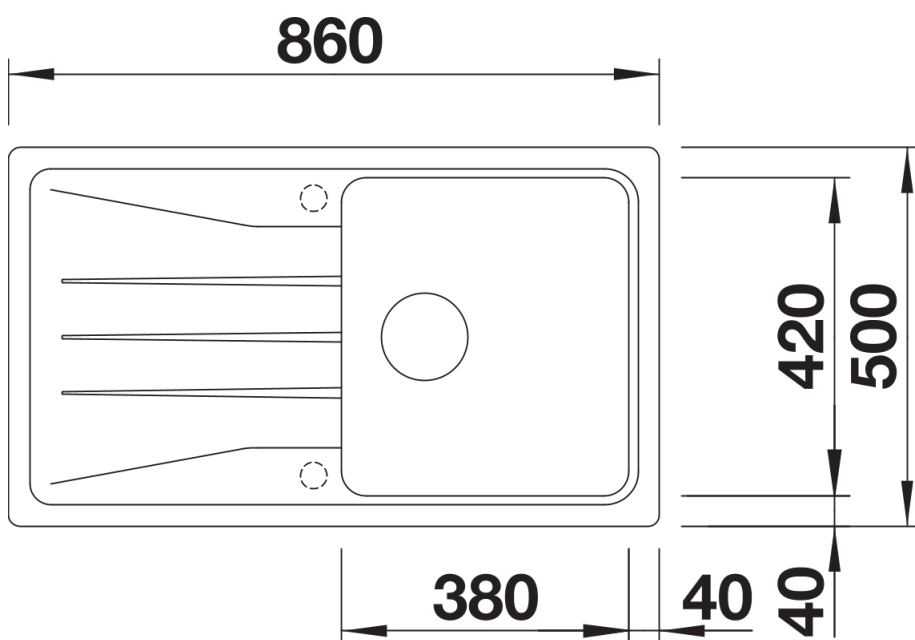
Planning information

- Cut out: 840 x 480 x R15
- Universal handing

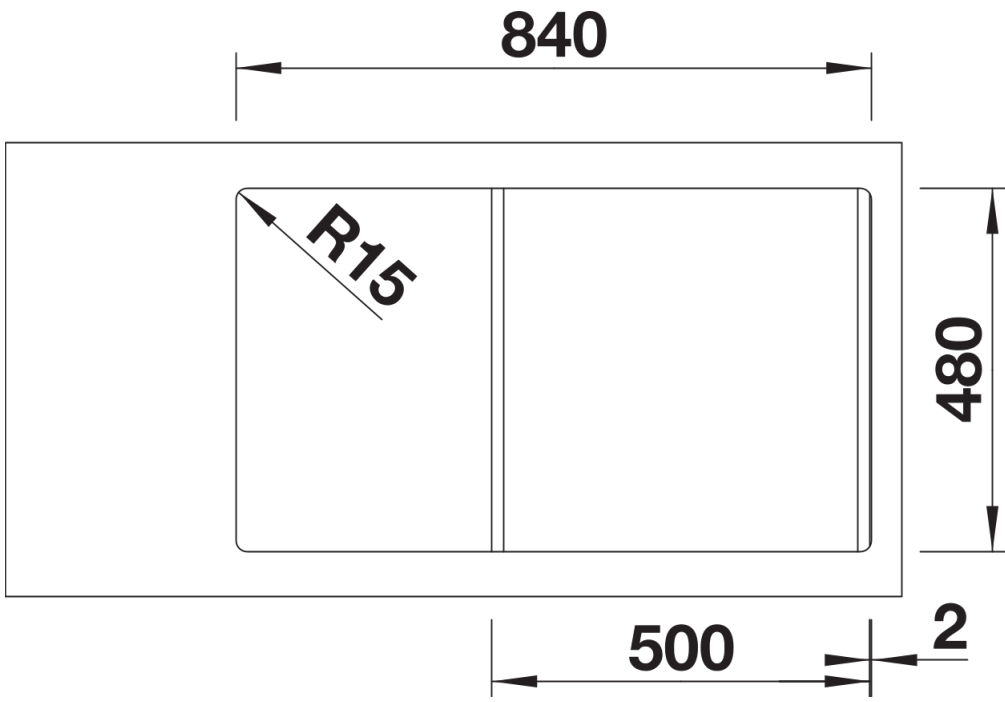
Scope of supply

- Waste fitting with space-saving pipe
- 3 ½" basket strainer

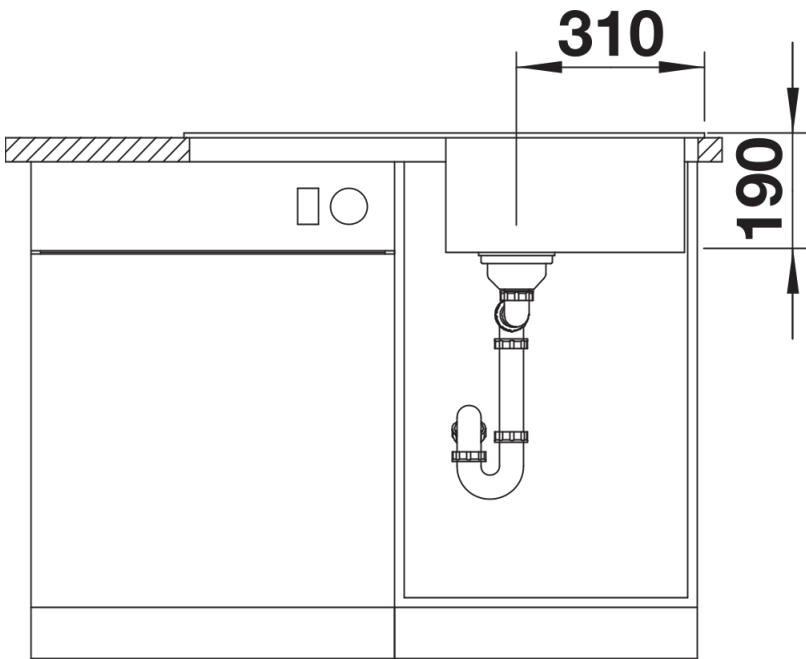
Details



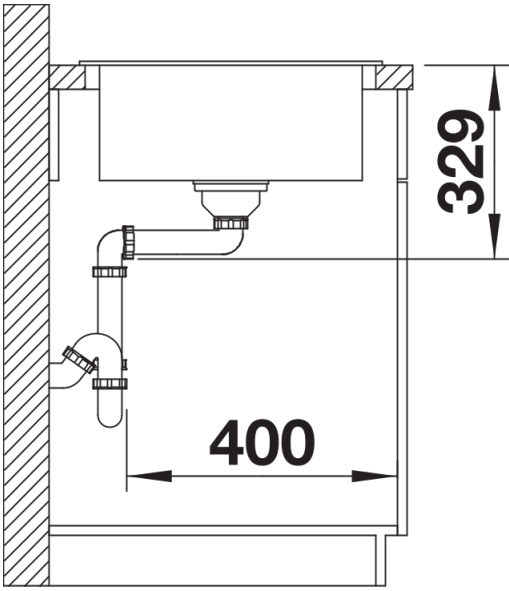
Top view



Cut-out



Front view



Side view