

## Product information sheet SONA 5 S

Item no. 527151

### Benefits

---



- Prominent grooved tap ledge and drainer area with a curved sink design
- Sizeable main sink and spacious draining area provide lots of useable space
- Generous tap ledge to reduce water splashes on the worktop
- Rounded internal corners for easy cleaning
- Stainless steel basket strainer catches food debris helping prevent drain blockages
- Reversible installation

## Colours

---



SILGRANIT soft white

Available colours:

black  
anthracite  
rock grey  
volcano grey  
white  
soft white  
tartufo  
coffee

## Planning information

---

- Cut out: 840 x 480 x R15  
Universal handing

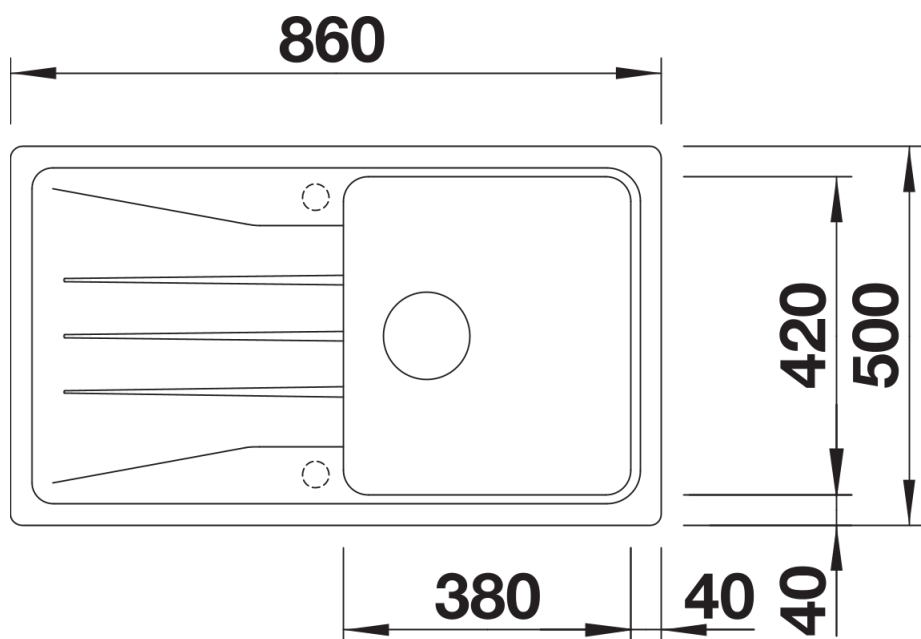
## Scope of supply

---

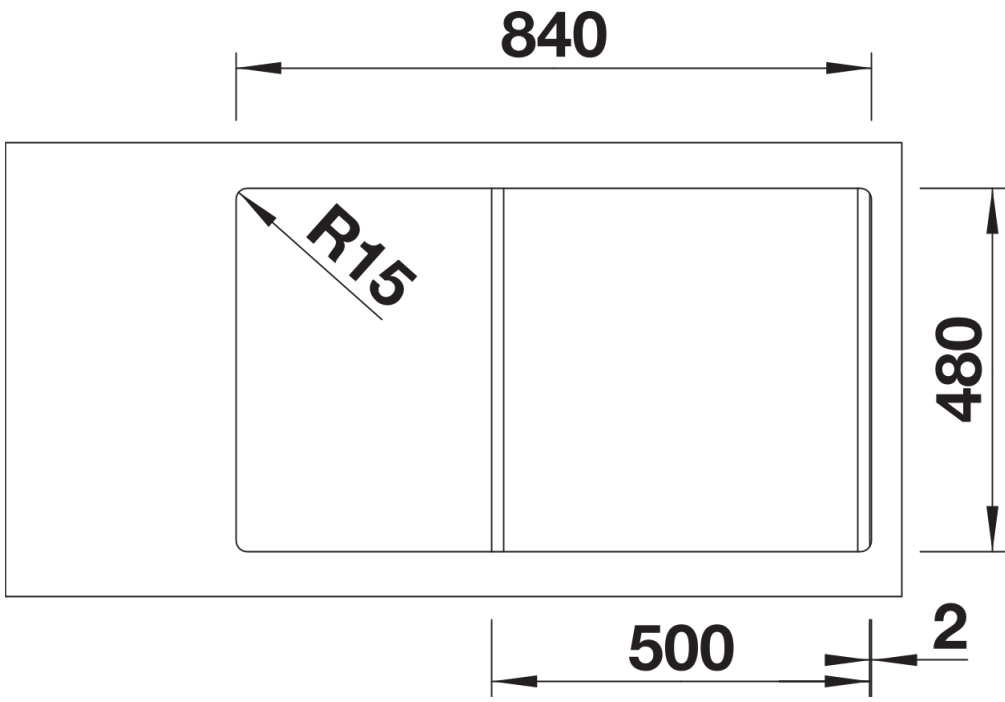
- Waste fitting with space-saving pipe  
- 3 ½" basket strainer

## Details

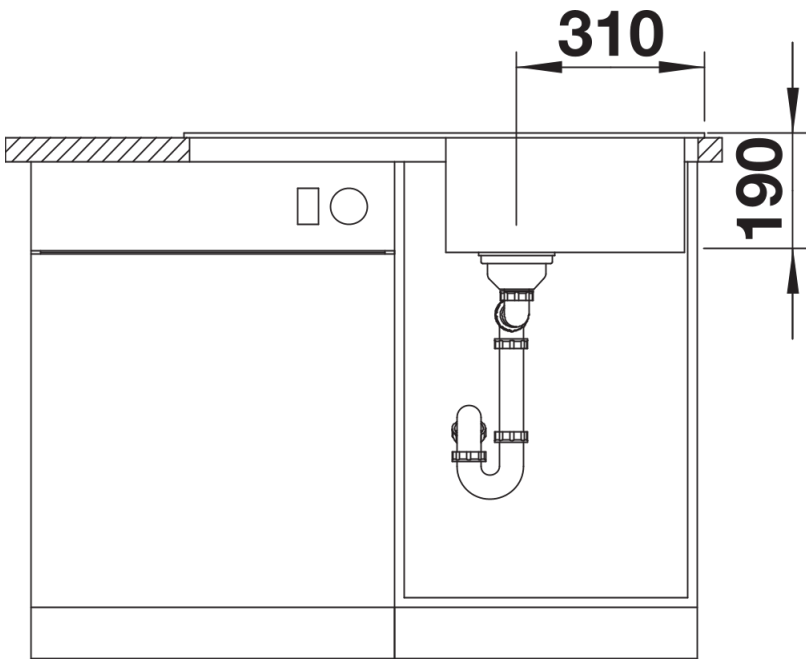
---



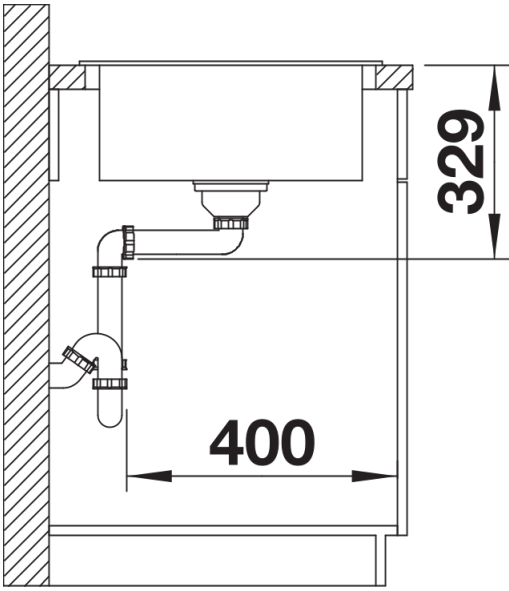
Top view



Cut-out



Front view



Side view