

## Product information sheet SOLENTA-S Senso Lever left

Item no. 455366

### Benefits

---



- Semi-professional design and added user convenience
- Manual or hands-free Start-Stop mode with innovative sensor technology
- Near field sensor detection in hose arm avoids unintended activation
- High-quality stainless steel hose cover for more stability, ease of movement and cleaning
- Pull-down with dual spray function and magnetic holder: easy switch from aerated stream to powerful rinse spray
- Also available in lever left version for a perfect match with the bowl position
- Stainless finish UltraResist – very easy to clean, stain and wear resistant

### Colours

---



Available colours:

Stainless Finish

PVD Stainless Finish

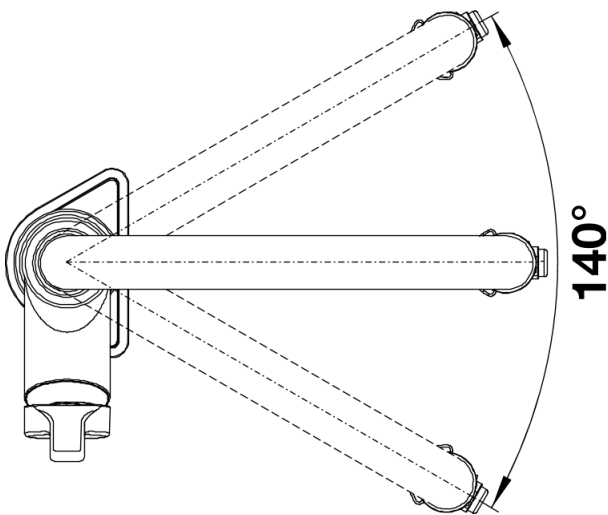
## Scope of supply

---

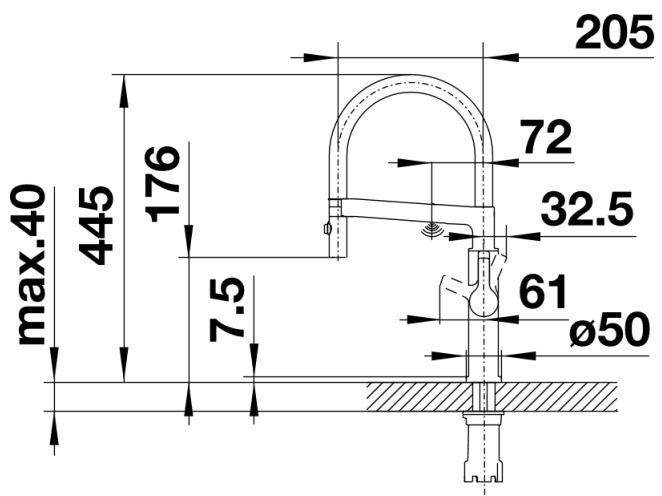
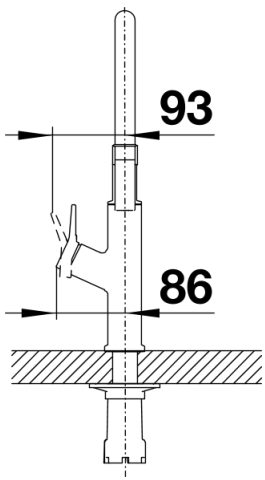
- Prepared for connection to 230V with mains unit
- Spout can be swivelled by 140°
- Ø 35mm tap hole required
- With ceramic disk cartridge
- Metal-sheathed spray hose
- Flexible connection pipes with a length of 450 mm and 3/8" nut for particularly easy and secure installation
- Patented jet regulator for markedly reduced scaling
- Stabilising plate to increase the stability of the tap when fitted in stainless steel sinks
- With non-return valve and thus guaranteed against reflux in accordance with EN 1717
- Planned for LGA certificate
- Planned for DVGW certificate

## Details

---



Swivel range



Side view