

## Product information sheet SONA XL 6 S

Item no. 519689

### Benefits

---



- Modern, independent design
- Particularly spacious XL bowl for even more room when washing dishes
- Generous, strikingly-profiled tap ledge
- Specially for the 60-cm base cabinet

### Colours

---



SILGRANIT anthracite

#### Available colours:

- anthracite
- rock grey
- alumetallic
- white
- jasmine
- pearl grey
- tartufo
- coffee
- black

## Planning information

---

- Cut out size: 980 x 480 x R15  
Universal handling

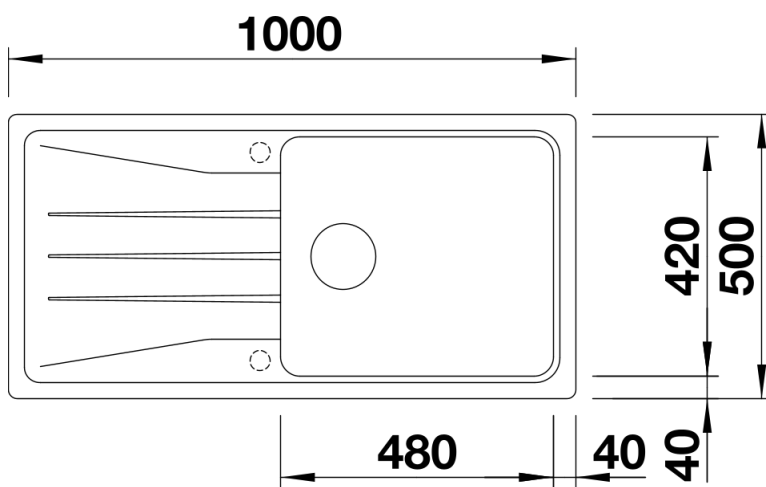
## Scope of supply

---

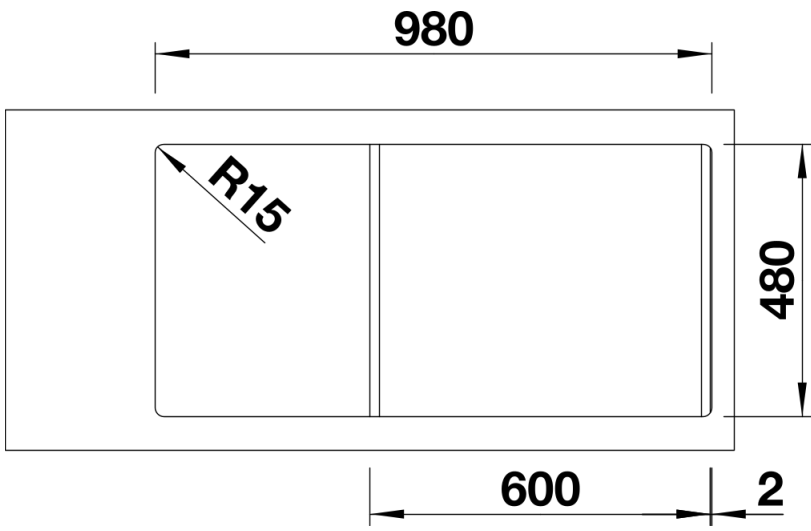
- Waste fitting with space-saving pipe  
- 3 ½" basket strainer

## Details

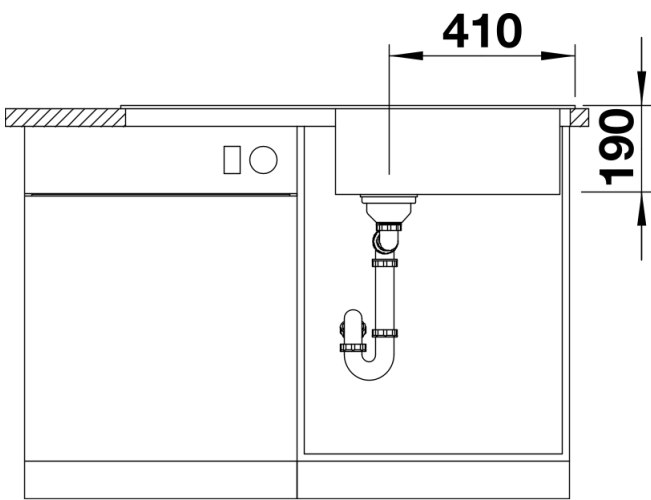
---



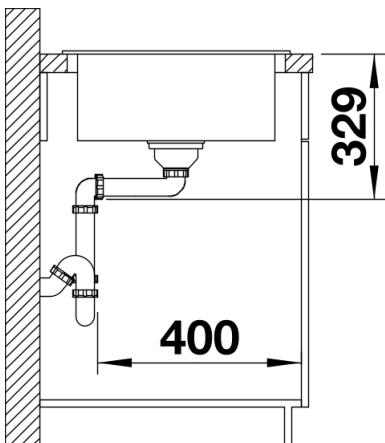
Top view



Cut-out



Front view



Side view