

## Product information sheet SUPRA 160-U

Item no. 450748

### Benefits

---



- Wide programme with various combination options
- For individual configuration of main and additional bowl, drainer and accessories
- Optimum position of outlet and overflow
- Installation advantage: flat installation rim

## Planning information

---

- Corner radius: 60mm
- Cut out information supplied with bowls.
- Cut out CNC files also available on [www.blanco.co.uk](http://www.blanco.co.uk) for download.

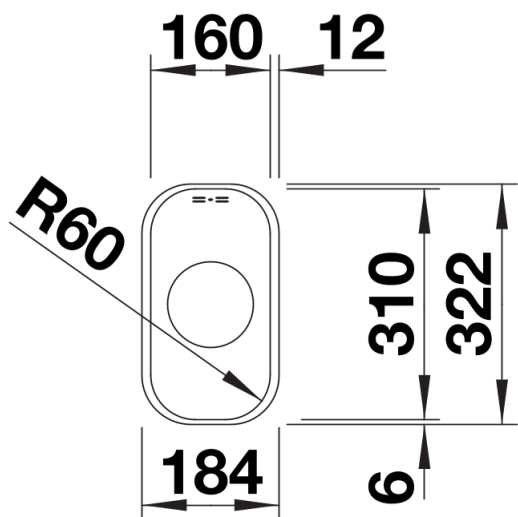
## Scope of supply

---

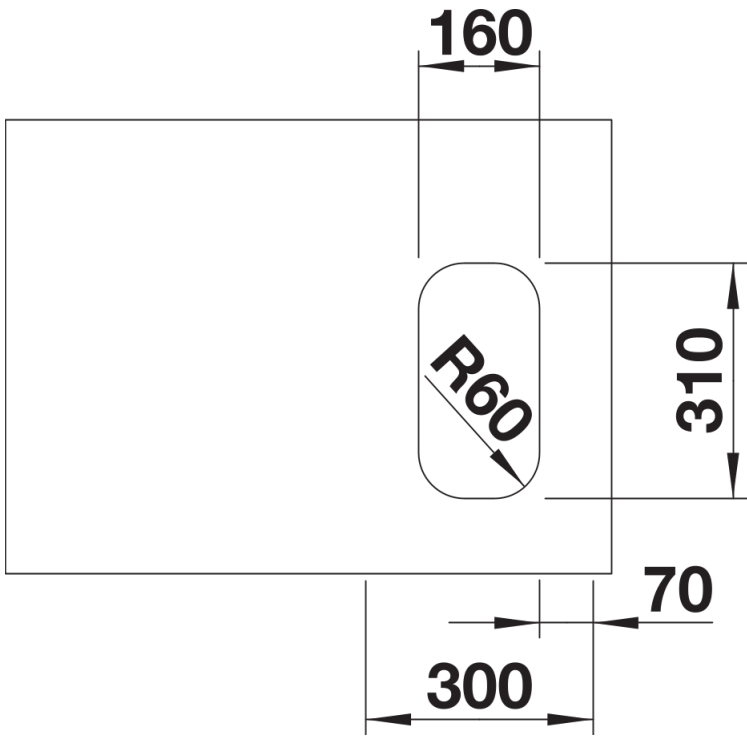
- Undermount bowl with 3 ½" basket strainer waste
- overflow and waste
- fixing kit included

## Details

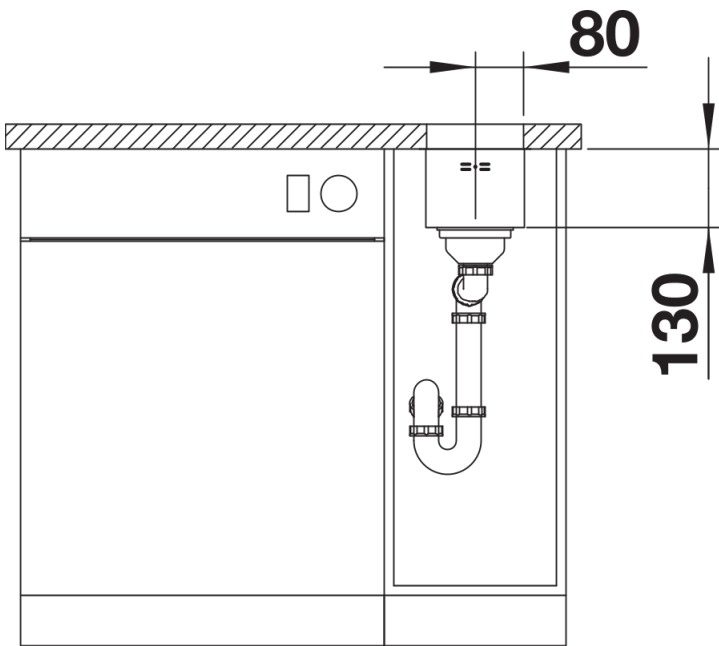
---



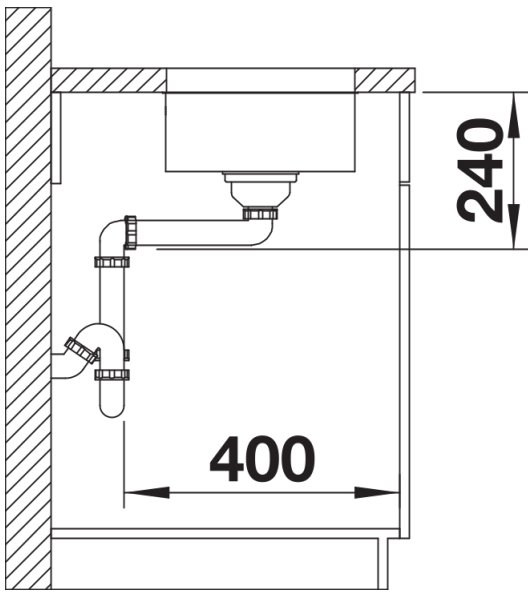
Top view



Cut-out



Front view



Side view