

Product information sheet SUPRA 500-U

Item no. 452615

Benefits



- Wide programme with various combination options
- For individual configuration of main and additional bowl, drainer and accessories
- Optimum position of outlet and overflow
- Installation advantage: flat installation rim

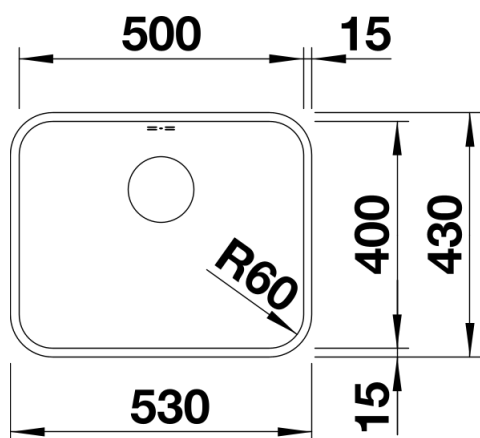
Planning information

- Corner radius: 60mm
- Cut out information supplied with bowls.
- Cut out CNC files also available on www.blanco.co.uk for download.

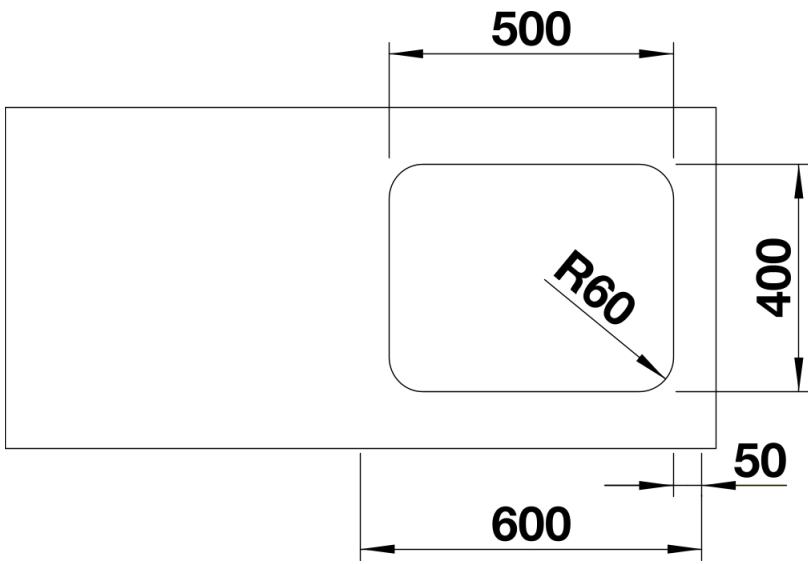
Scope of supply

- Undermount bowl with 3 ½" basket strainer waste
- overflow and waste
- fixing kit included

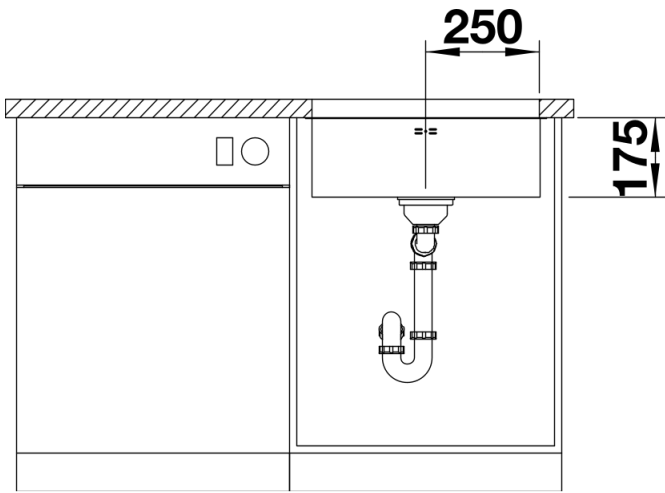
Details



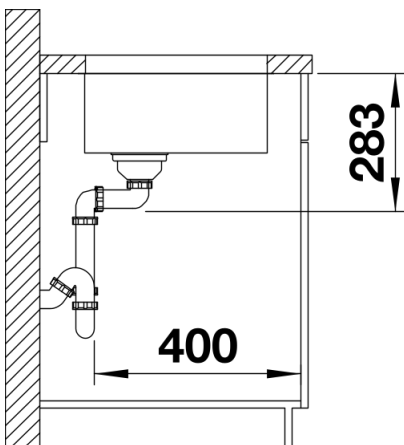
Top view



Cut-out



Front view



Side view