

## Product information sheet SUBLINE 800-U

Item no. 523142

### Benefits

---



- Our versatile SUBLINE kitchen sink range fits harmoniously into the worktop: great for minimalist kitchens
- Straight-lined design: timelessly elegant
- Extra large bowl for soaking big baking trays and cleaning pots and pans
- Elegant InFino strainer for swift water drainage

## Colours

---



SILGRANIT rock grey

Available colours:

black  
anthracite  
rock grey  
volcano grey  
white  
soft white  
tartufo  
coffee

## Planning information

---

- Cut out: 800 x 400 x R10

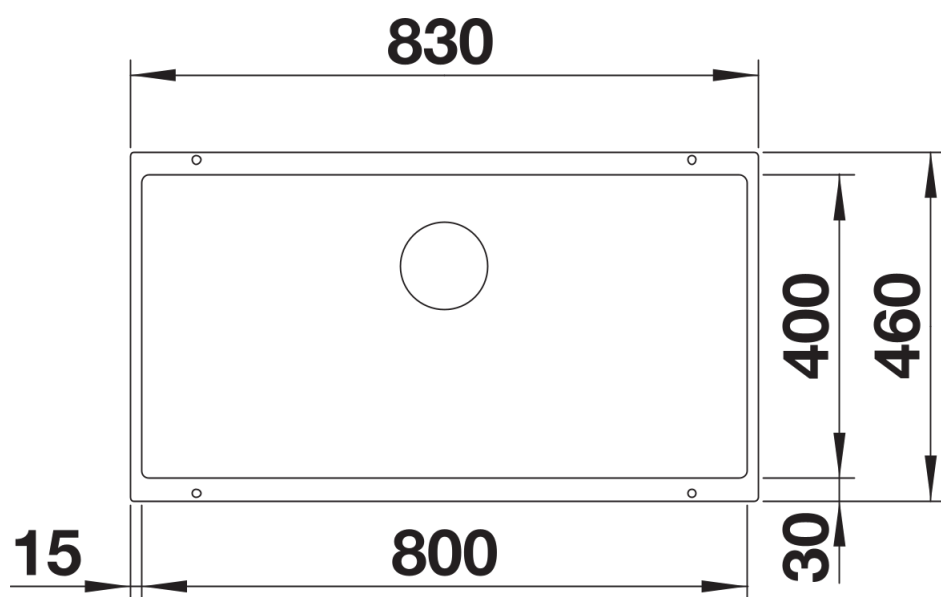
## Scope of supply

---

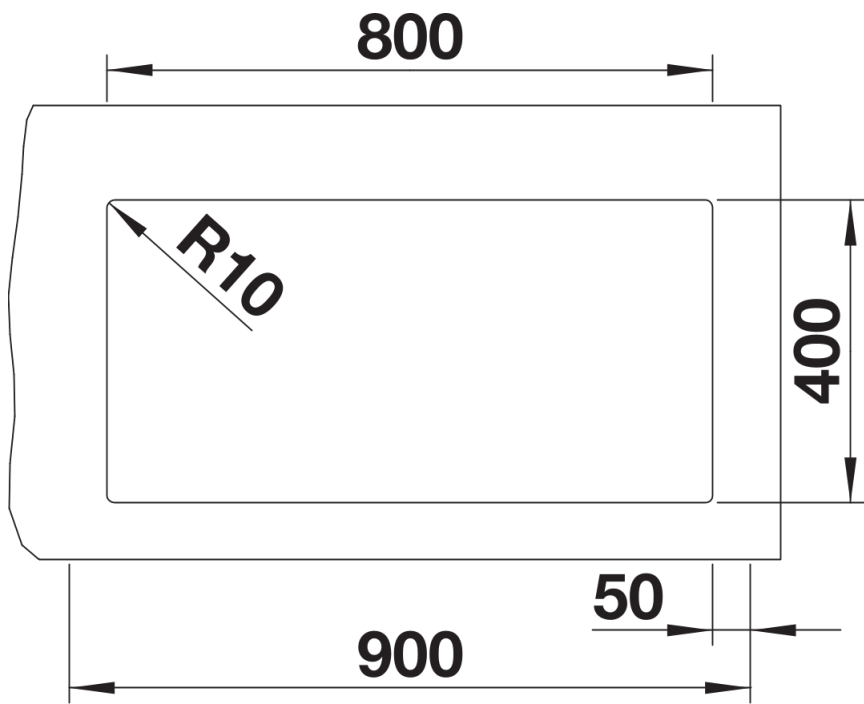
- Waste fitting with space-saving pipe
- 3 ½" InFino basket strainer

## Details

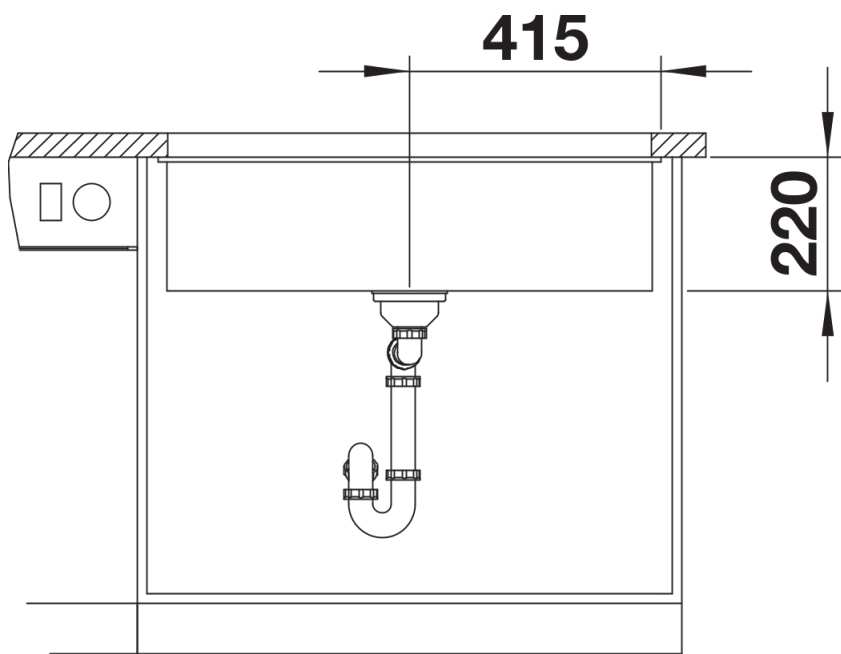
---



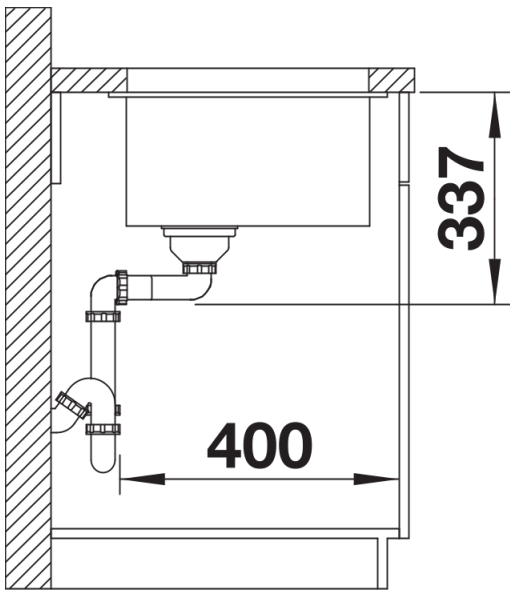
Top view



Cut-out



Front view



Side view