

Product information sheet SUPRA 450-U

Item no. 452614

Benefits



- Wide programme with various combination options
- For individual configuration of main and additional bowl, drainer and accessories
- Optimum position of outlet and overflow
- Installation advantage: flat installation rim

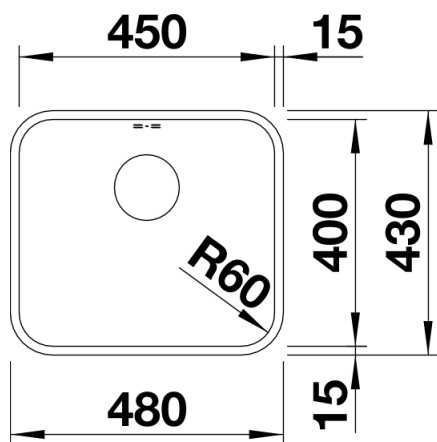
Planning information

- Corner radius: 60mm
- Cut out information supplied with bowls.
- Cut out CNC files also available on www.blanco.co.uk for download.

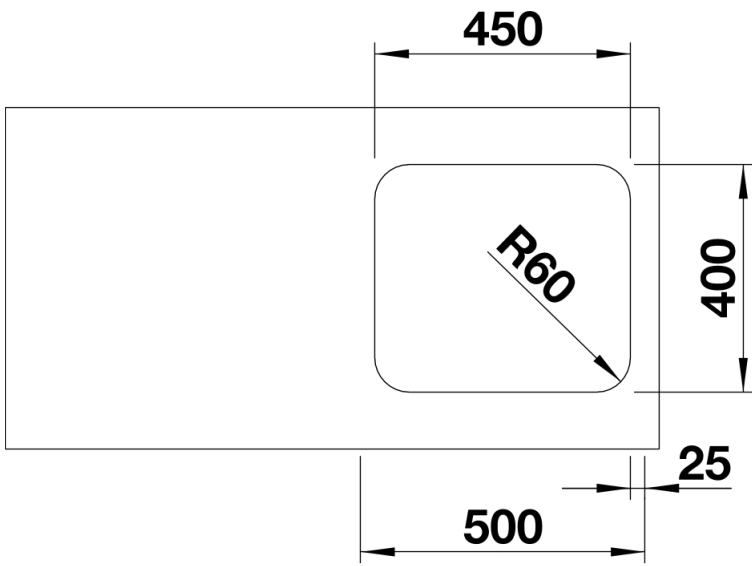
Scope of supply

- Under mount bowl with 3 1/2" basket strainer waste, overflow and waste, fixing kit 212 330 included

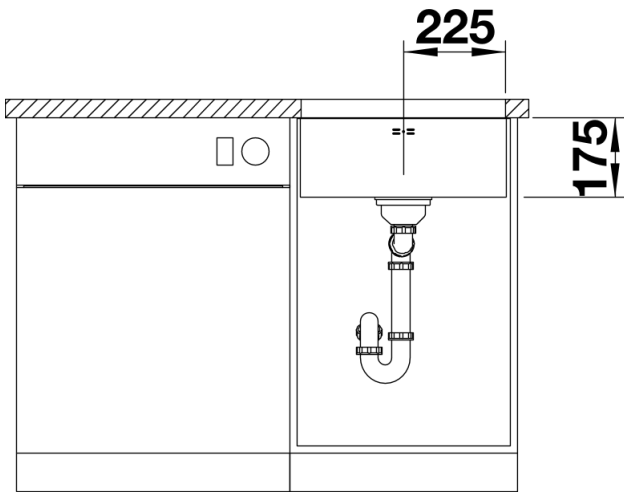
Details



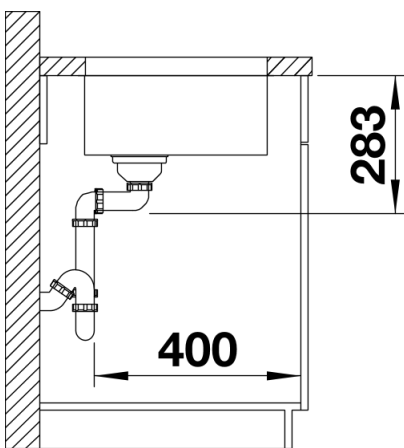
Top view



Cut-out



Front view



Side view