

Product information sheet VONDA

Item no. 518434

Benefits



- Ergonomic control lever for front control
- Consistently straight-lined design
- Spout with black accents and a pleasant soft grip surface
- High arc spout for easy filling of pans and vases
- Highly recommended for under mount bowls

Colours



Available colours:

chrome

galvanic chrome

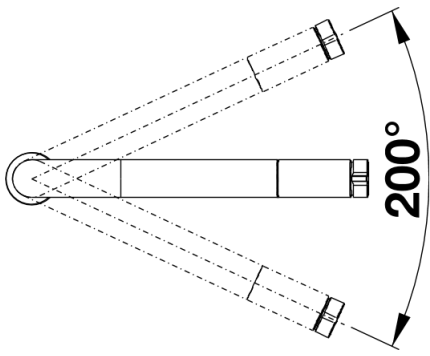
Planning information

- Please note:
- High pressure supply only - requires minimum of 1.0 bar pressure (approx 10 metre head), preferred 1.0-1.5 bar
- 3/8" BSP connectors required (not supplied)
- Heavy duty metal tap stabilising bracket, fit when required. Item No. BL450775
- Height: 348
- Reach: 242
- Base: 46
- Tap hole: ø35

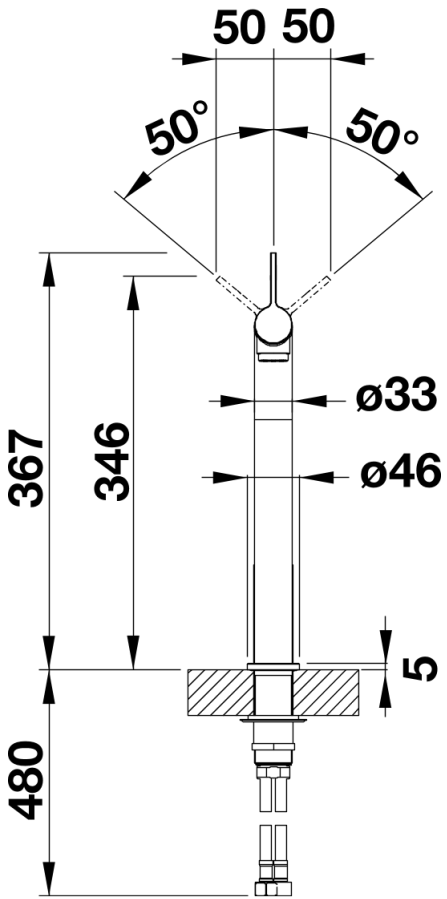
Scope of supply

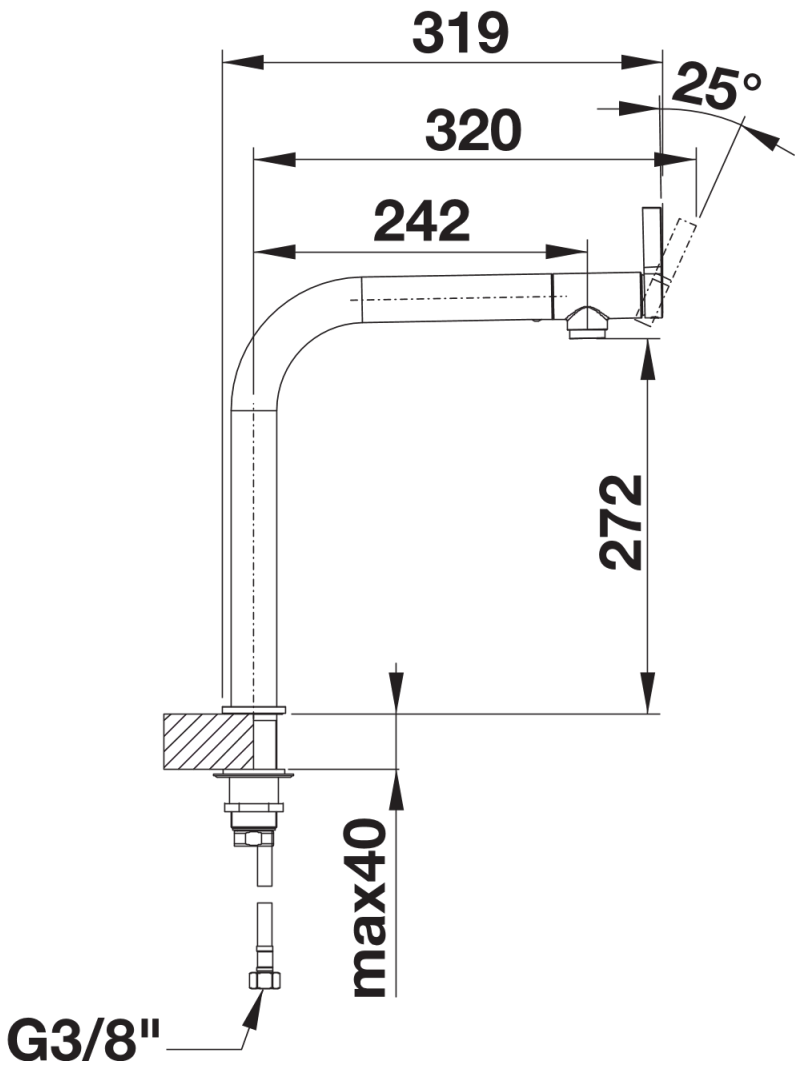
- Spout can be swivelled by 200°
- Ø 35 mm tap hole required
- With ceramic disk cartridge
- Flexible connector pipes, 450 mm long and 3/8" nut for particularly easy installation
- Patented jet regulator for markedly reduced scaling
- Stabilisation plate to increase the stability of the tap when fitted in stainless steel sinks
- LGA approved
- DVGW approved

Details



Swivel range





Side view