

## Product information sheet ZEROX 500-IF Durinox

Item no. 523098

### Benefits

---



- Zero radius design with the striking rectangular bowl geometry
- Matt velvet looks with a harmonious surface structure and pleasantly warm to the touch
- Highly resistant to scratches
- High-quality features with the covered C-overflow in Durinox and elegantly integrated InFino strainer
- Easy to combine, matching accessory solutions

## Planning information

---

- German warehouse stock, allow 10 working days.
- Cut out information supplied with bowls.
- Cut out CNC files also available on [www.blanco.co.uk](http://www.blanco.co.uk) for download.

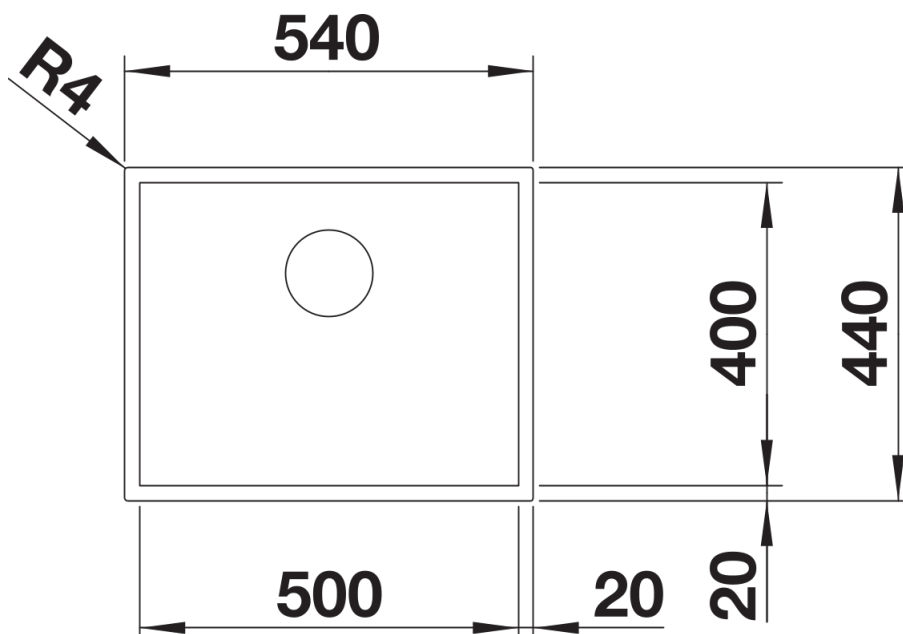
## Scope of supply

---

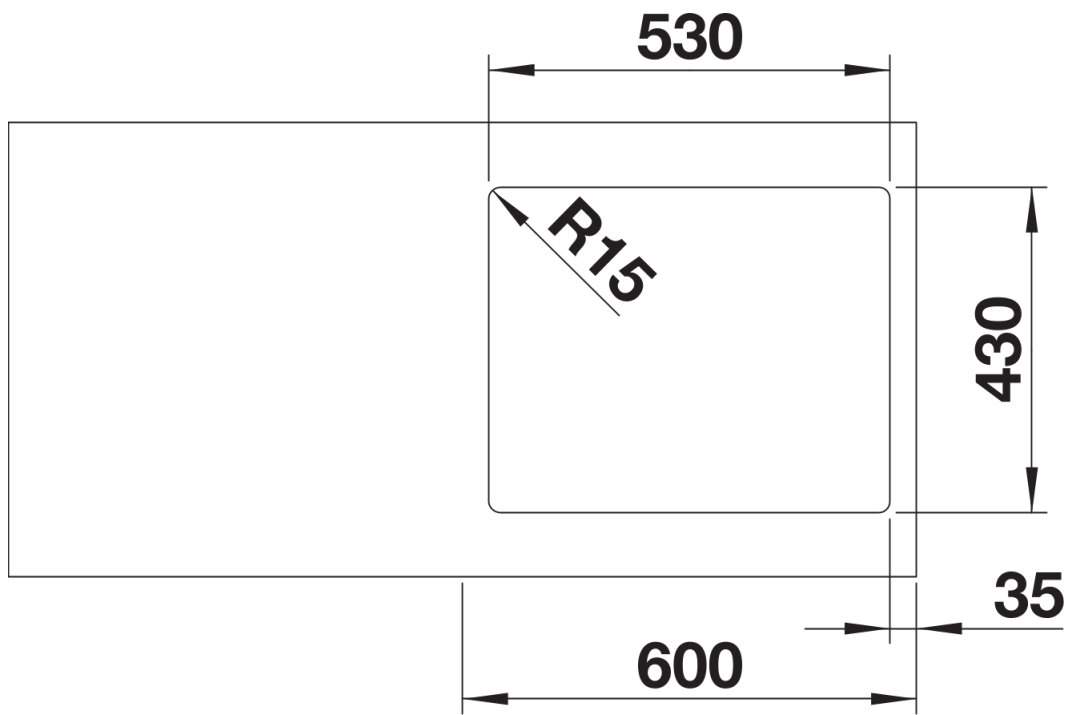
Manually operated Waste and overflow fitting with space saving pipe, 3 ½" InFino basket strainer, fixing element set German warehouse stock, allow 10 working days.

## Details

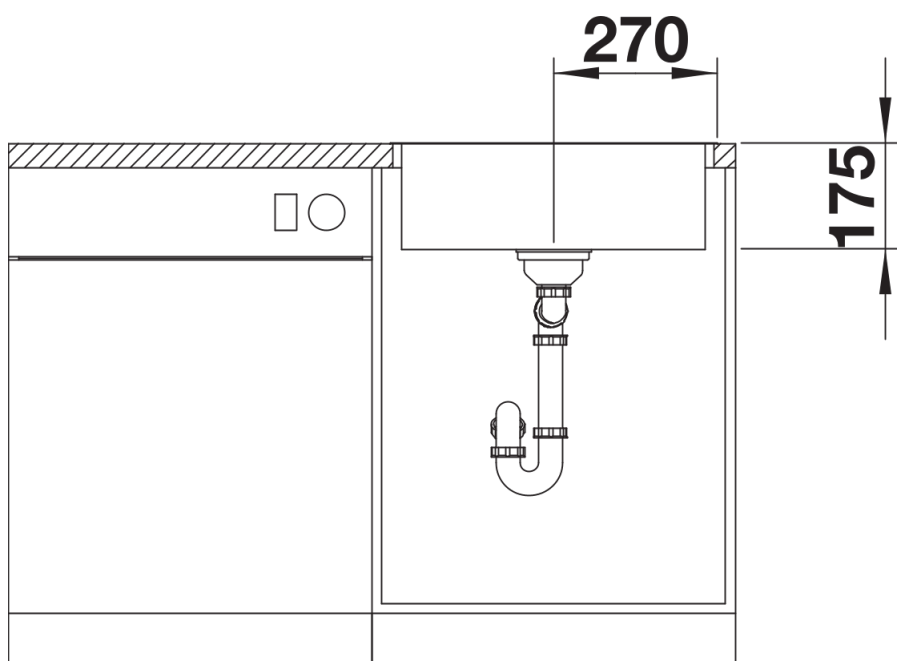
---



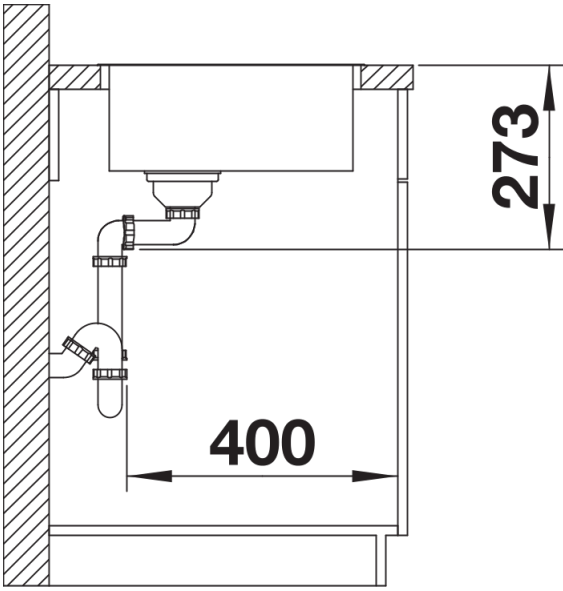
Top view



Cut-out



Front view



Side view