

Product information sheet ZEROX 700-IF/A Durinox

Item no. 523102

Benefits



- Zero radius design with the striking rectangular bowl geometry
- Matt velvet looks with a homogeneous surface structure and pleasantly warm to the touch
- Highly resistant to scratches
- With the covered C-overflow in Durinox
- InFino drain system with PushControl - the slim and intuitive remote control
- IF flat rim gives the sink the appearance of being flush mount

Planning information

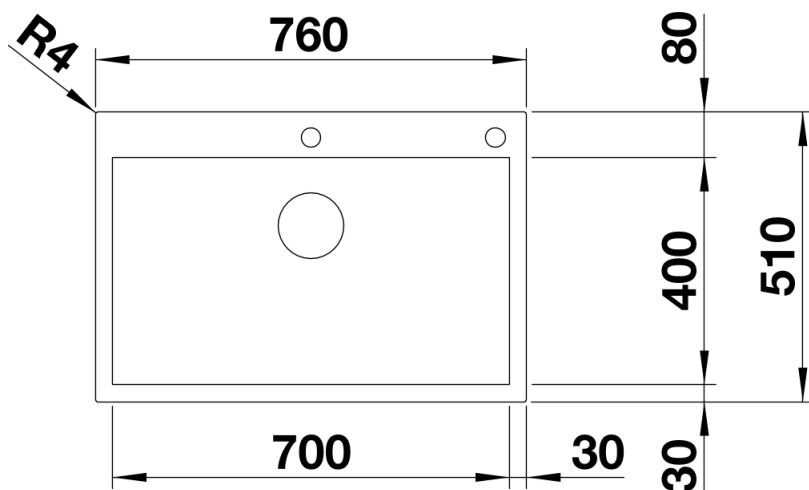
- Special holes:

- For an additional charge all IF-models with tap ledge can be configured with tap ledge holes positioned to suit individual preferences. More technical details and notes see page xx.

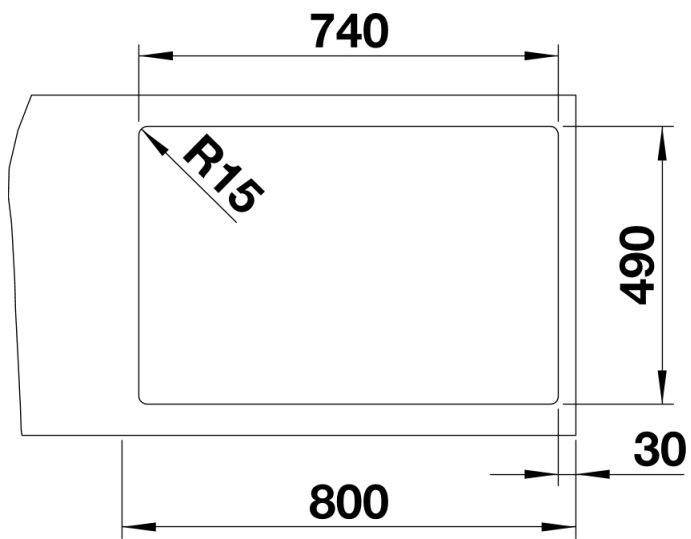
Scope of supply

- Waste and overflow fitting with space saving pipe
- 3 1/2" InFino basket strainer with PushControl drain remote control
- fixing element set (sealing not included)

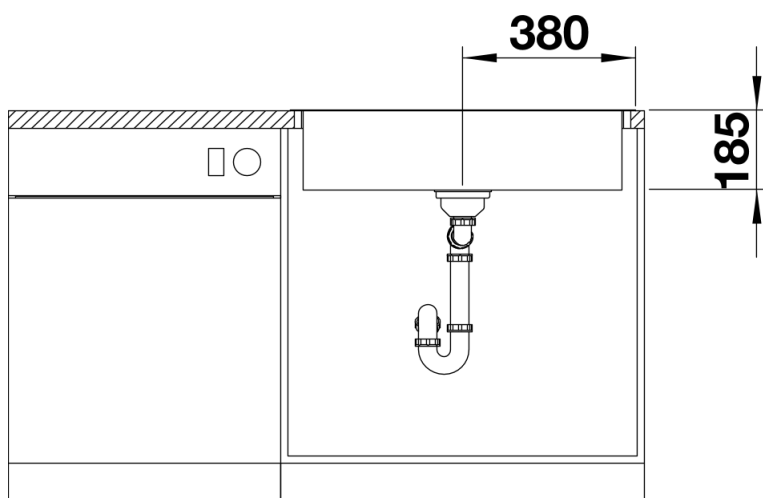
Details



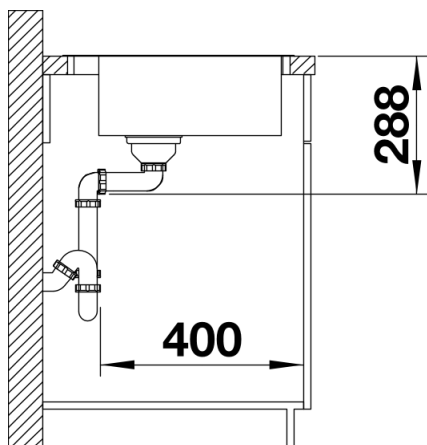
Top view



Cut-out



Front view



Side view