

## Product information sheet ZIA XL 6 S Compact

Item no. 526019

### Benefits

---



- Modern design with clear lines
- Extra large bowl for maximum comfort
- Compact outer dimensions thanks to reduced draining area
- Can be installed reversibly

### Colours

---



Available colours:

- black
- anthracite
- volcano grey
- alumetallic
- white
- soft white

SILGRANIT black

## Planning information

---

- Cut out size: 760 x 480 x R15, Universal handing

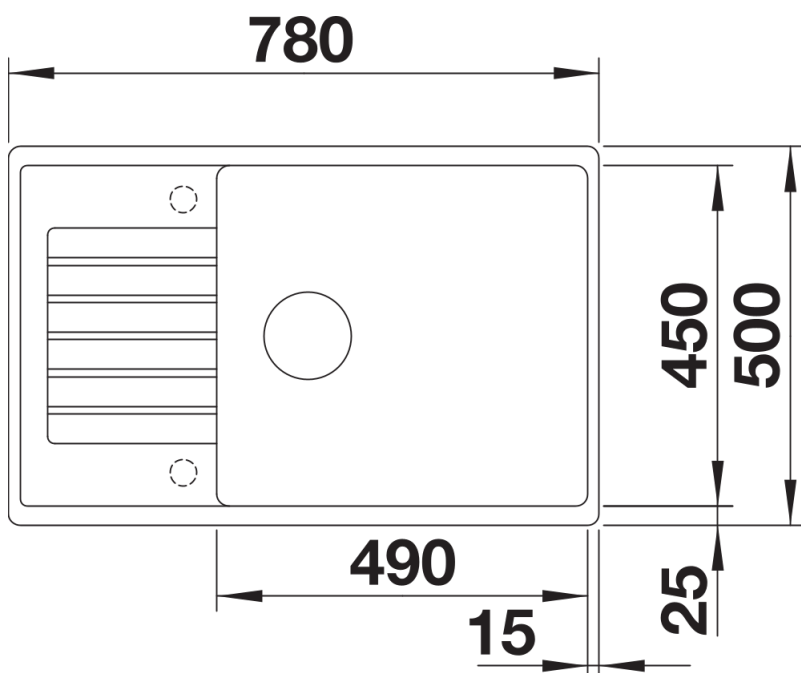
## Scope of supply

---

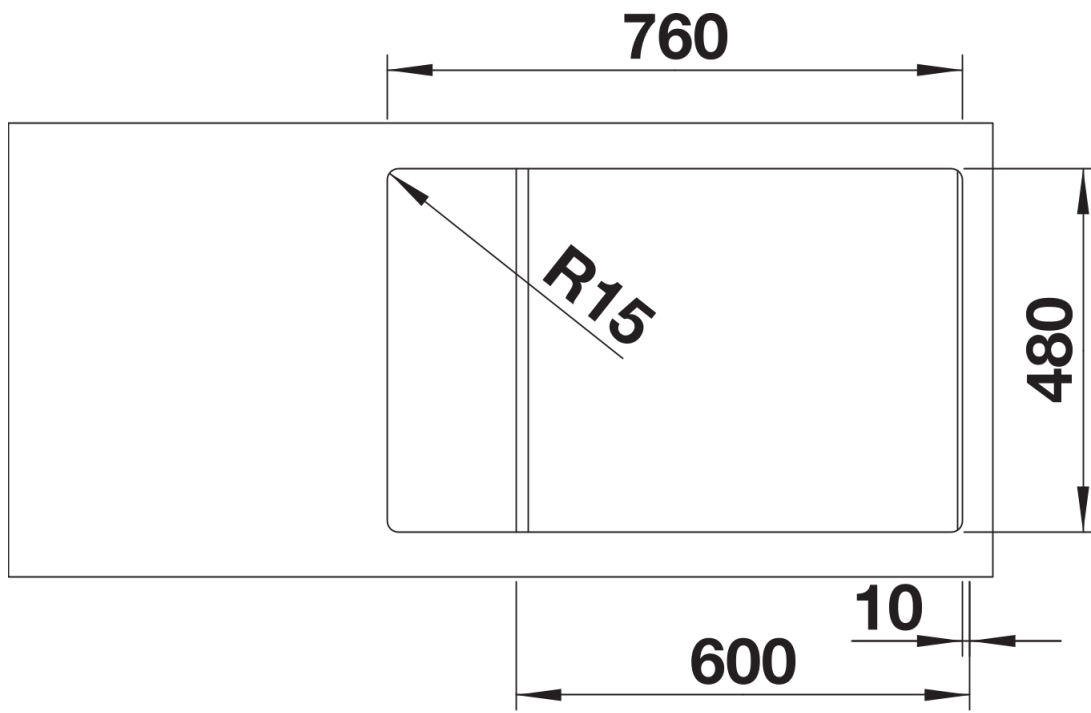
Waste fitting with space-saving pipe, 3 1/2" basket strainer, German warehouse stock, please allow 10 working days

## Details

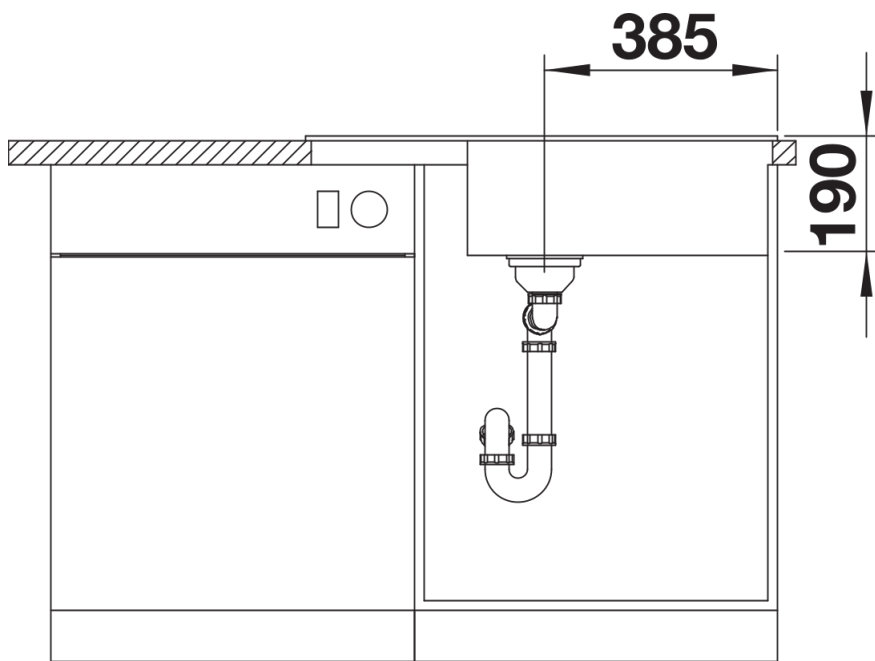
---



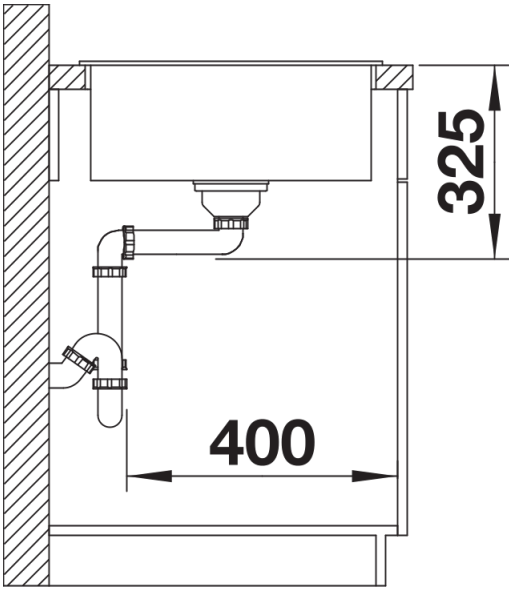
Top view



Cut-out



Front view



Side view