

Product information sheet ZIA 6 S

Item no. 514748

Benefits



- Modern design with clear lines
- Straight lined outer contour emphasised by the narrow rim
- Characteristic tap ledge as a frame that enlarges the drainer
- Spacious main bowl for comfortable working
- Large additional bowl with 3 ½" basket strainer
- Can be installed reversibly

Colours



Available colours:

- black
- anthracite
- volcano grey
- white
- soft white

SILGRANIT anthracite

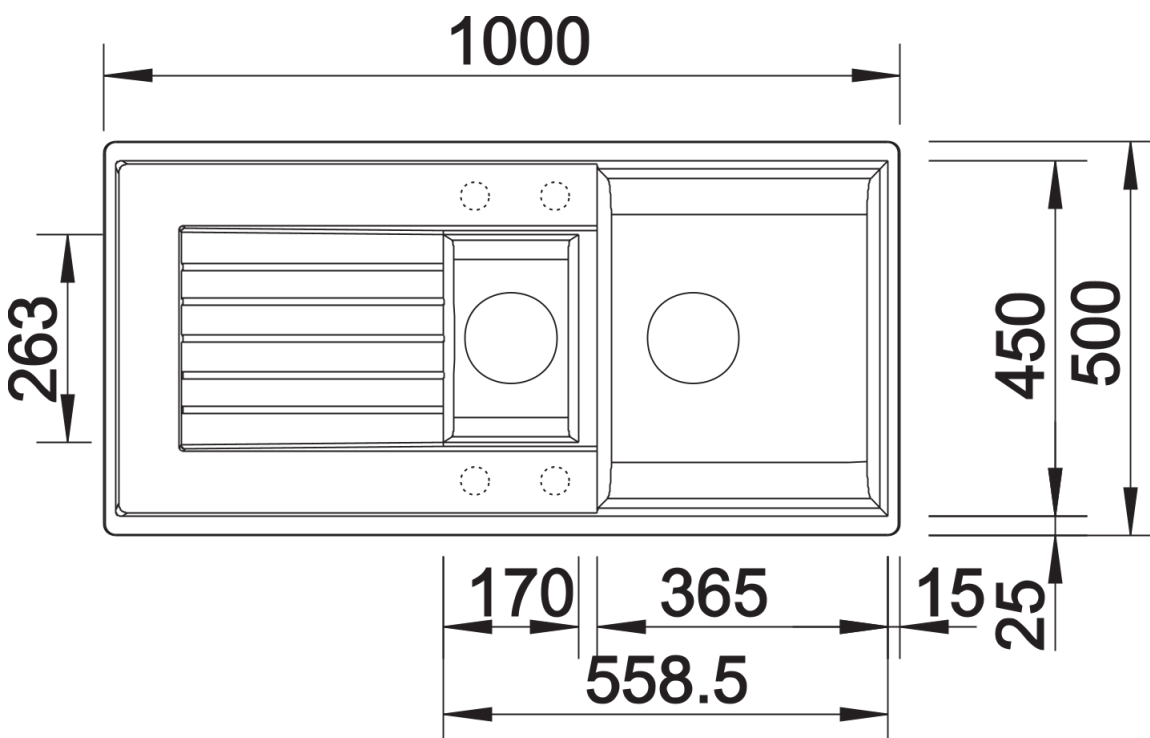
Planning information

- Cut out size: 980 x 480 x R15, Universal handing

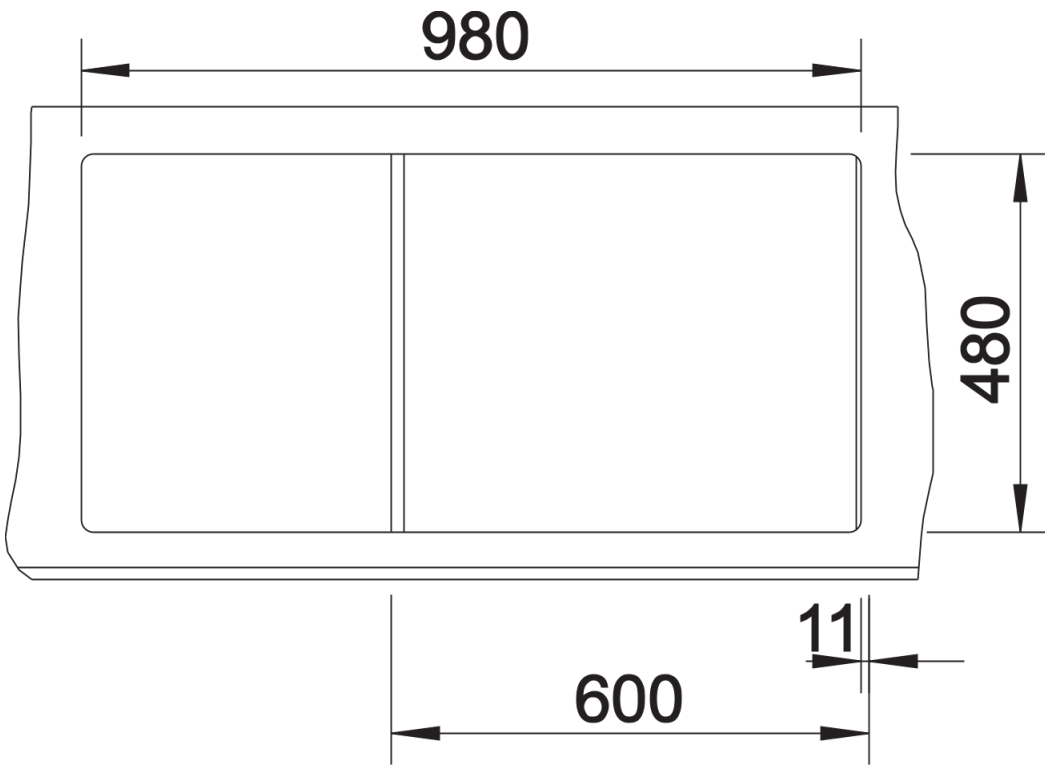
Scope of supply

- Waste fitting with space-saving pipe
- two 3 ½" basket strainers

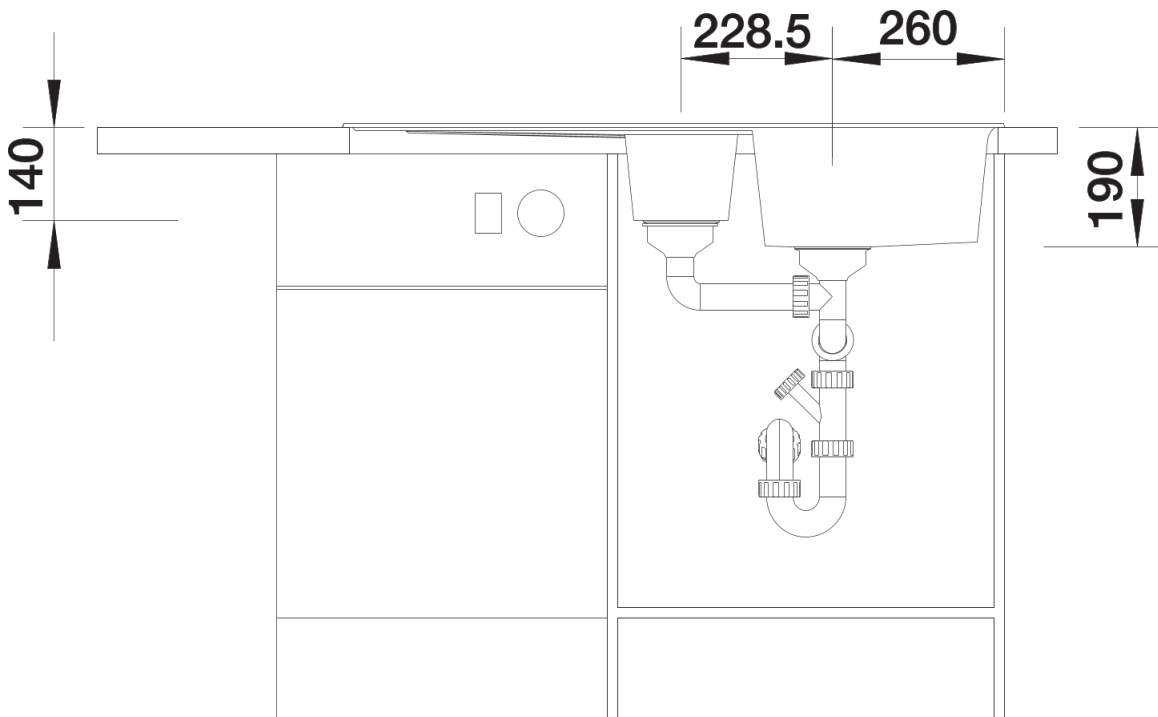
Details



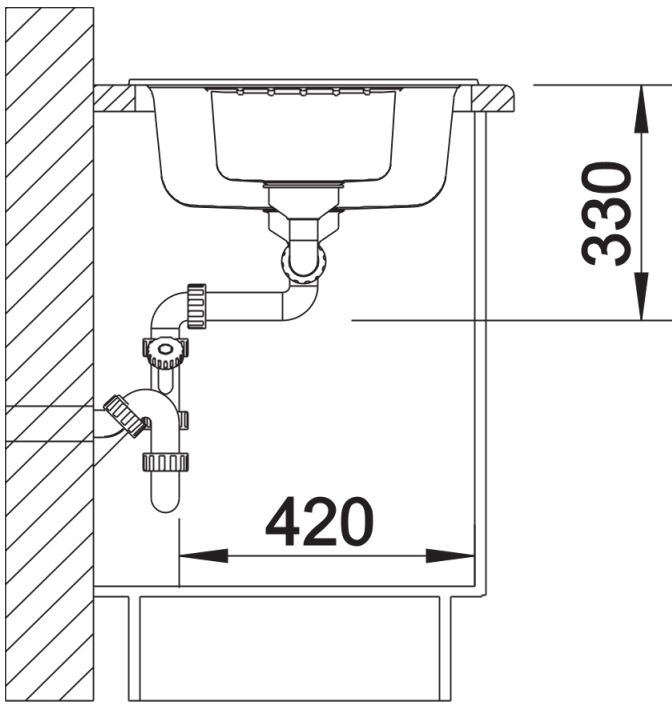
Top view



Cut-out



Front view



Side view