

Product information sheet ZIA 45 S

Item no. 527383

Benefits



- Timeless and practical sink design
- Significant drainer grooves channel water into the sink, not your worktop
- Generous tap ledge to reduce water splashes on the worktop
- Stainless steel basket strainer catches food debris helping prevent drain blockages
- Reversible installation: position the sink to the left or right of the drainer, depending on your kitchen layout

Colours



Available colours:

- black
- anthracite
- volcano grey
- white
- soft white

SILGRANIT volcano grey

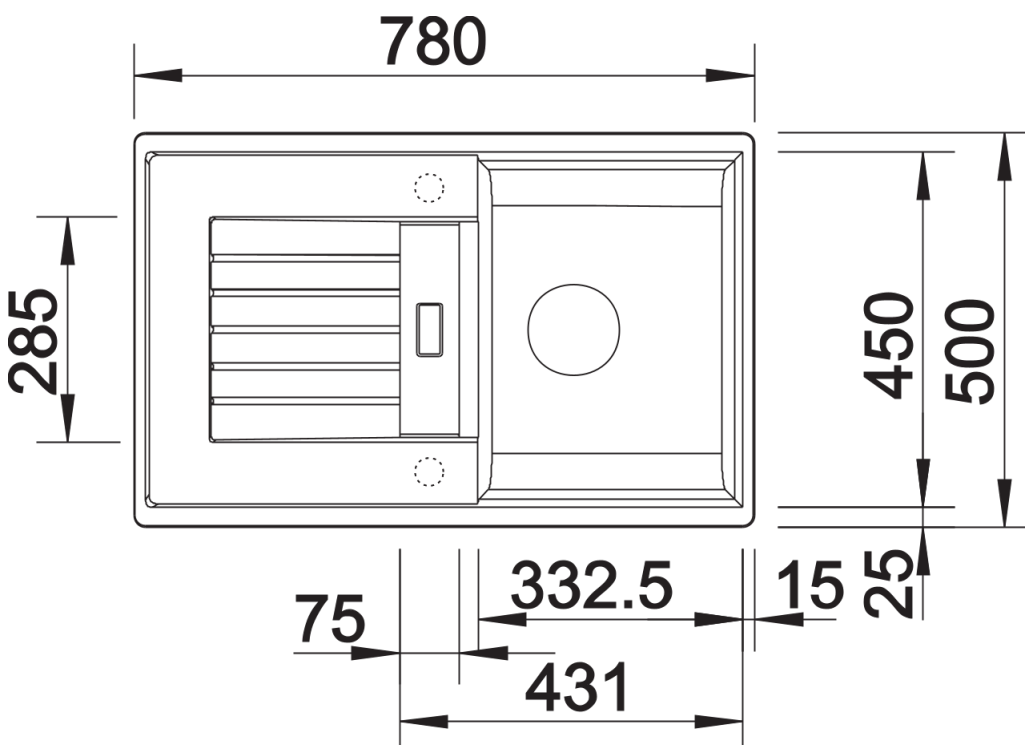
Planning information

- Cut out size: 760 x 480 x R15, Universal handing

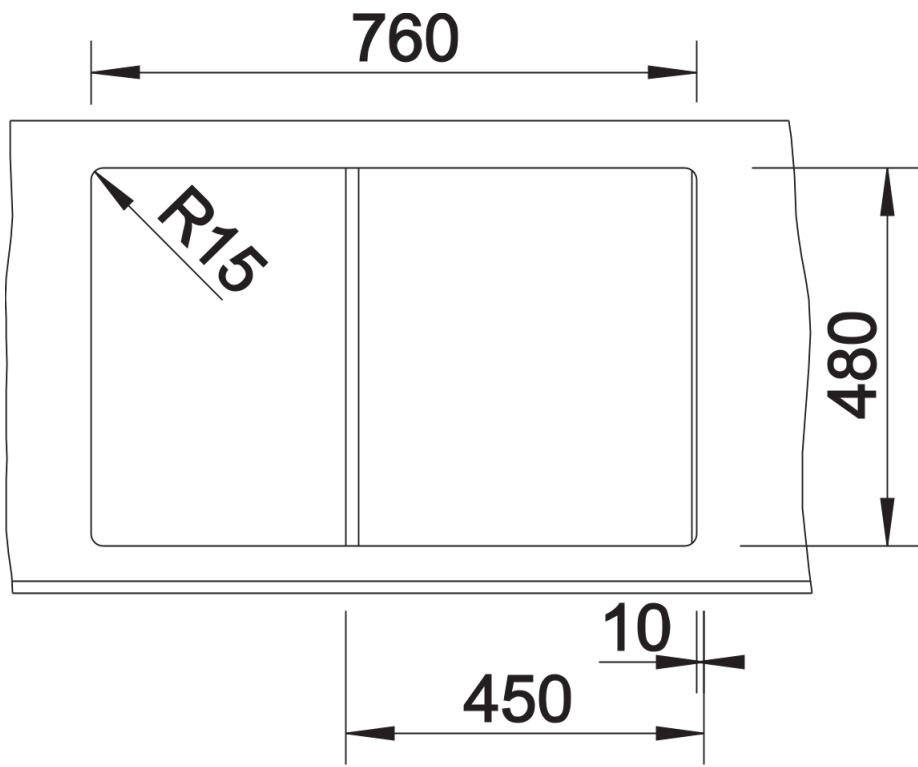
Scope of supply

- Waste fitting with space-saving pipe
- 3 1/2" basket strainer

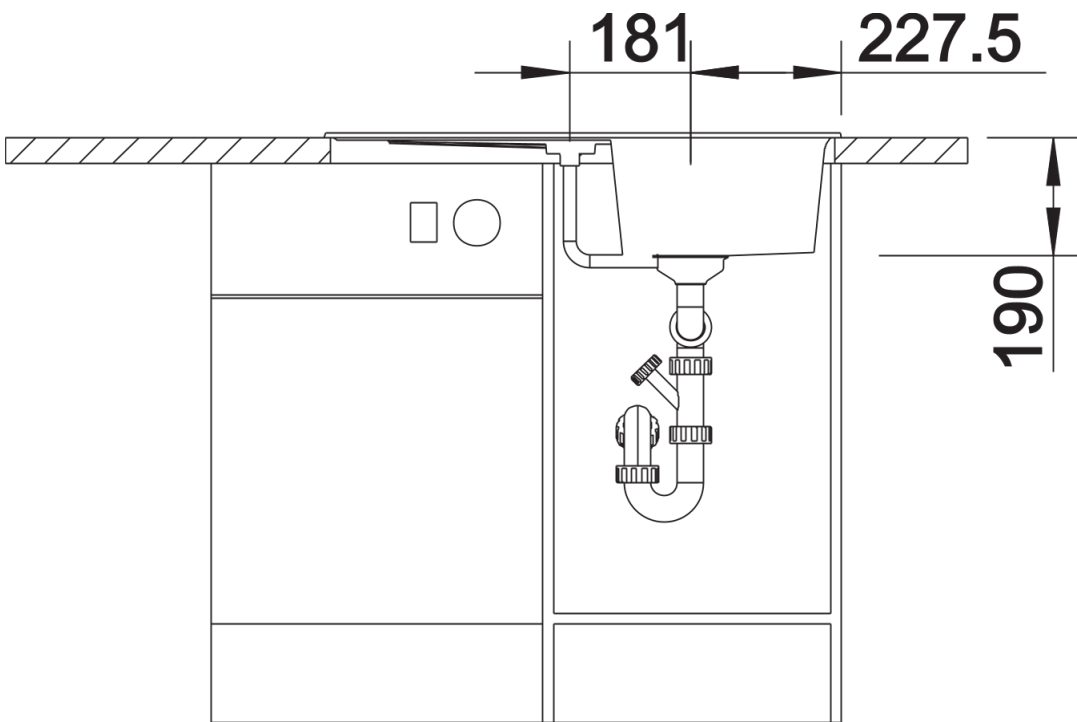
Details



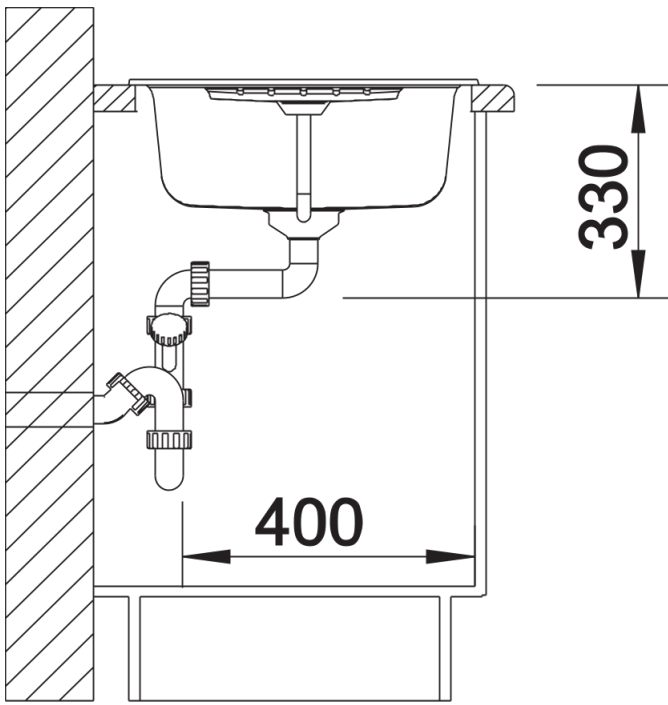
Top view



Cut-out



Front view



Side view