

Product information sheet ZIA 9 E

Item no. 514764

Benefits



- Timeless and practical sink design
- Significant drainer grooves channel water into the sink, not your worktop
- A great corner sink for streamlined multitasking
- Large sink for soaking baking trays and cleaning pots and pans
- Generous tap ledge to reduce water splashes on the worktop
- Stainless steel basket strainer catches food debris helping prevent drain blockages

Colours



Available colours:

black
anthracite
volcano grey
white
soft white

SILGRANIT anthracite

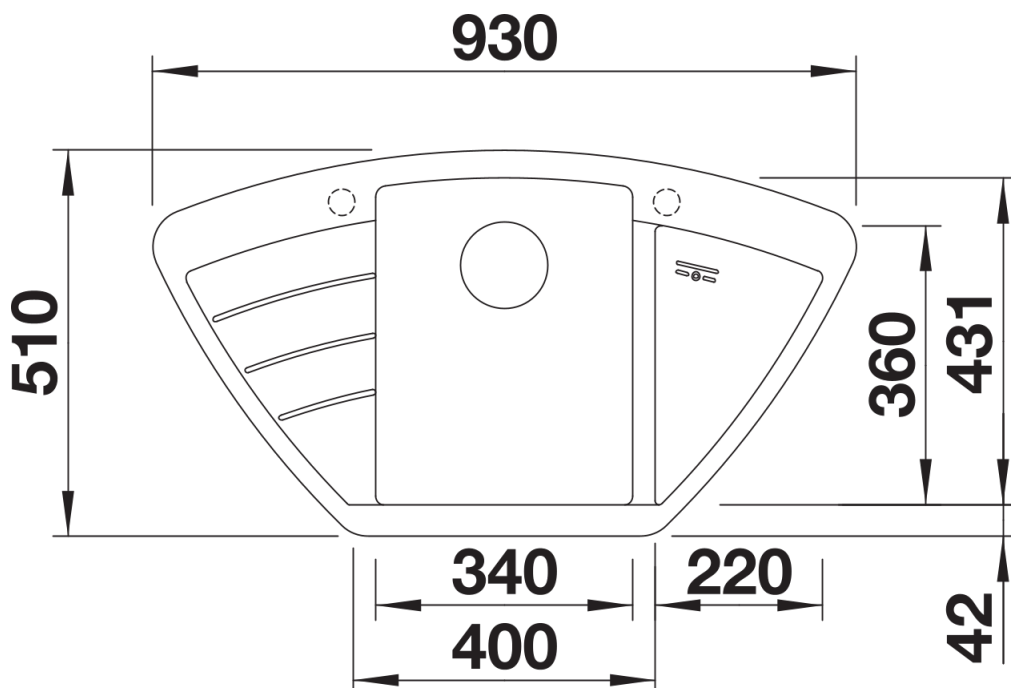
Planning information

- Cut out: Template provided with sink

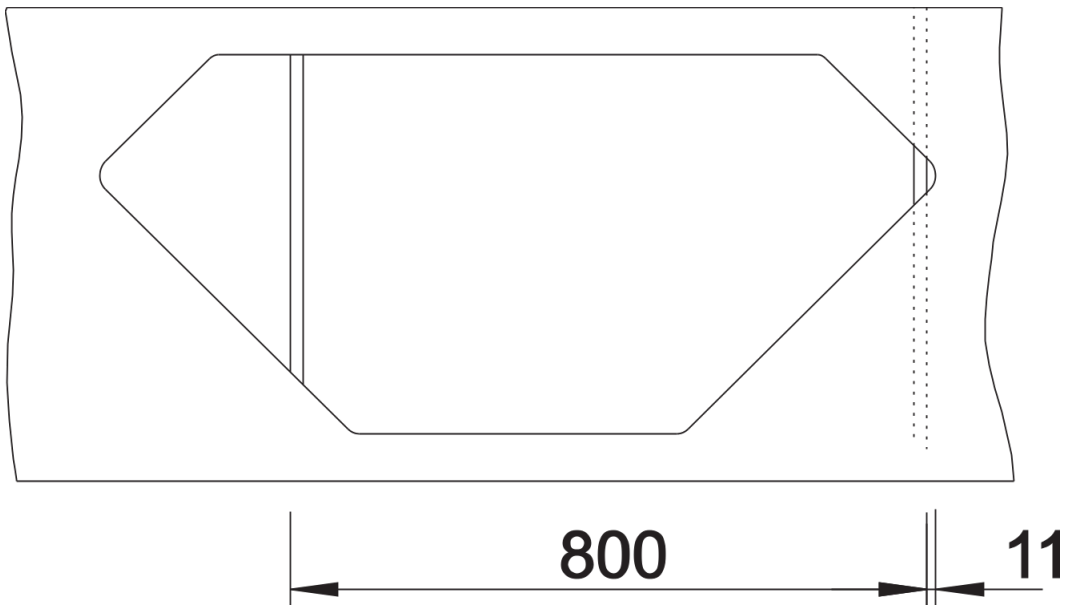
Scope of supply

- Waste fitting with space-saving pipe
- 3 ½" basket strainer
- template provided with sink

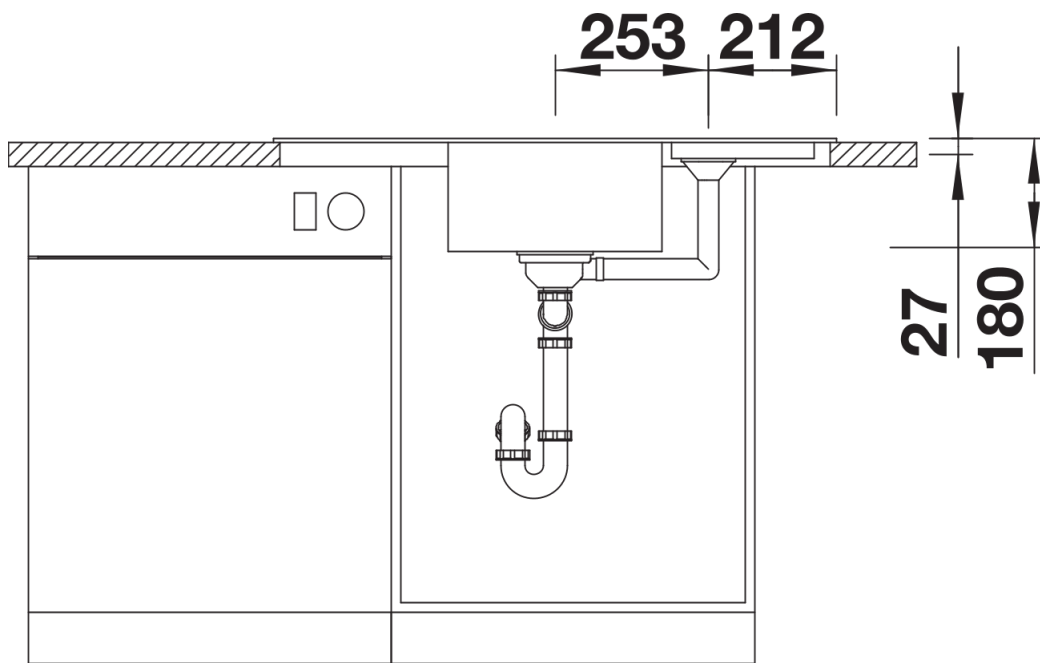
Details



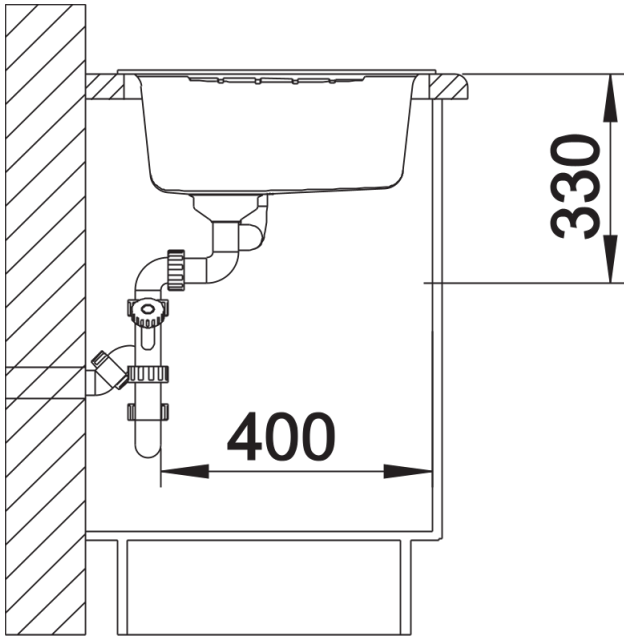
Top view



Cut-out



Front view



Side view